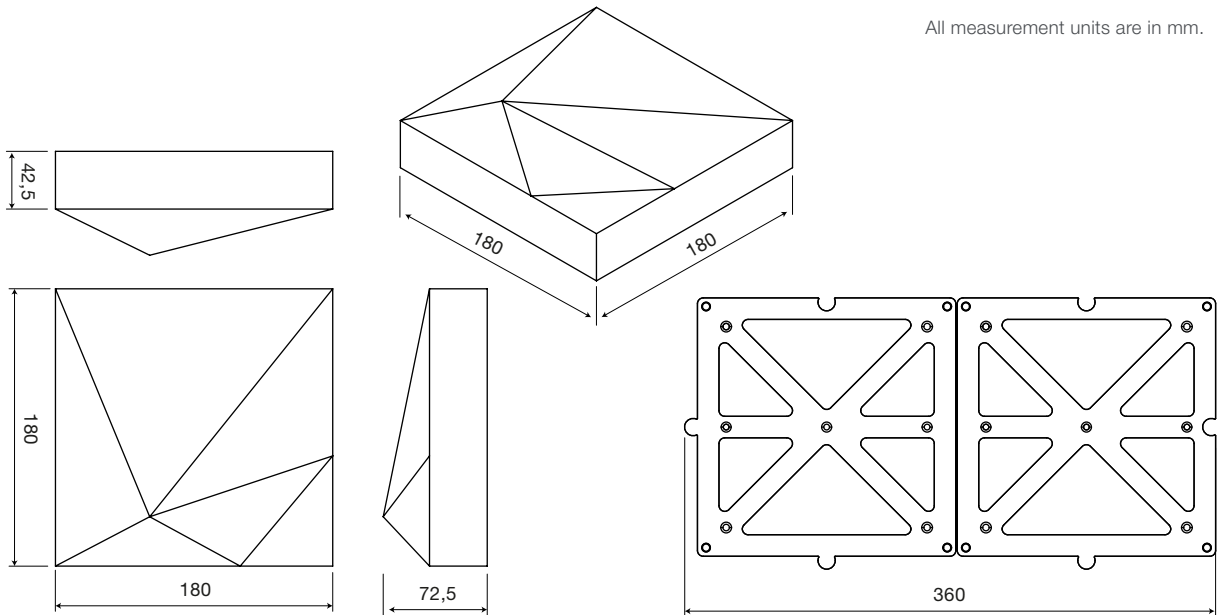


Technical Data

Model No	DMR003
Thickness and Size	Material thickness 2 mm / Edge length 180x180 mm
Dimensions	Lowest point 42,5 mm, Highest point 72,5 mm
Weight	170 gr / Pcs- 5.100 kg/m ²
Colours	All ral code colours are available
Finishes Available	Matt or glossy paints available
Material	Strengthen, light and strong copolymer
Suitability	Interior / Exterior use for walls and ceilings

All measurement units are in mm.



General Performance Data



Flammability
UL94 / V-0
(Optional)



Surface Quality
A1



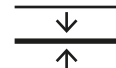
Flexural Strength
ISO178 / 63MPa



Size Accuracy
+/-0,05%



Temperature
Resistance
-40/+85 °C



Thickness
Accuracy
+/-0,005%