

DECORATIVE
WALL
PANELS

3d wall[®]

Spline

3D WALL “Spline” has 3d knitting
visuality which is inspired by the
moving of splay lines, its elegant,
simple, fashionable design.

STRIKING VERSATILE BEAUTIFUL

“SPLINE” has its own registered
certificate of design

An integral and modular programme

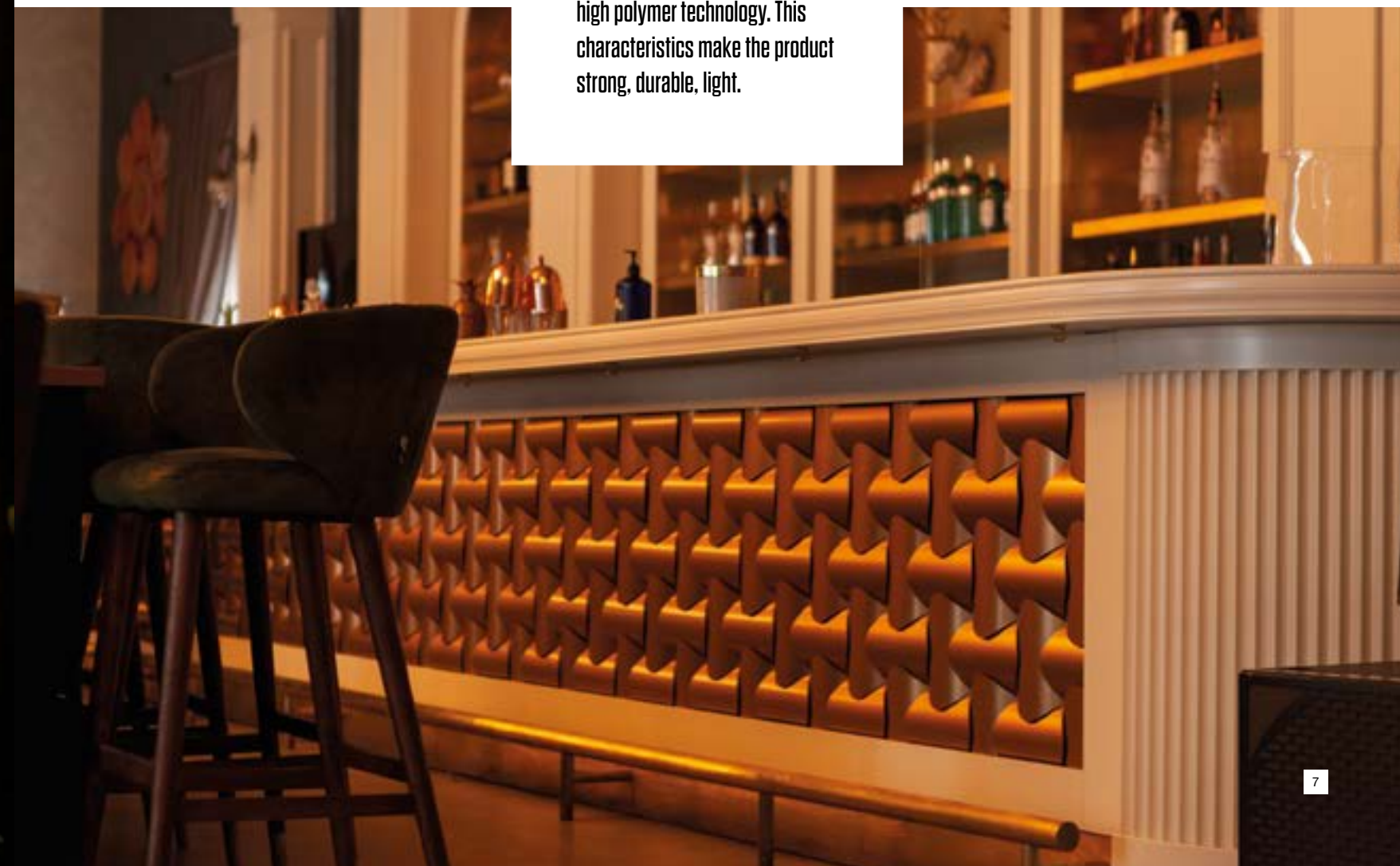
The integral, modular panel programme “Spline” is fully geared to the requirements that architects set for panels. Extremely comprehensive in terms of colors and surface finishes. “Spline” is also available with LED lighting. The panels are suitable for interior wall and ceiling surfaces.

PASSION FOR FASHION

“SPLINE” gives each wall or surface a unique character of its own.



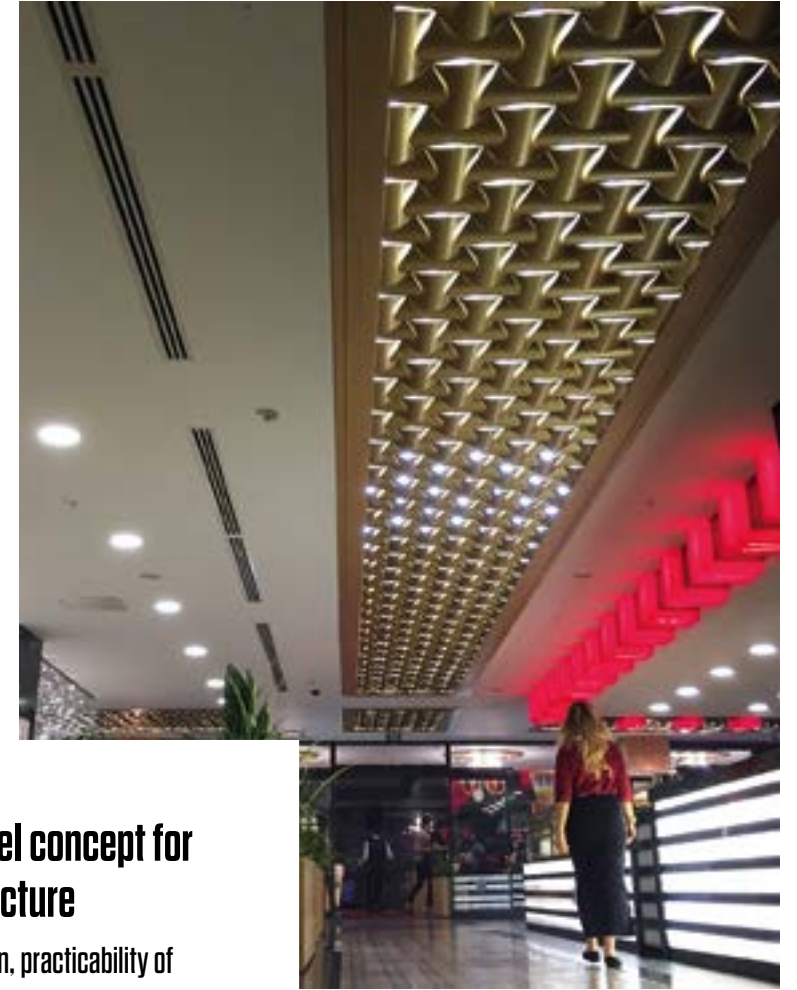
“Spline” panels are made of different kind of plastics which are preferred in use of high polymer technology. This characteristics make the product strong, durable, light.





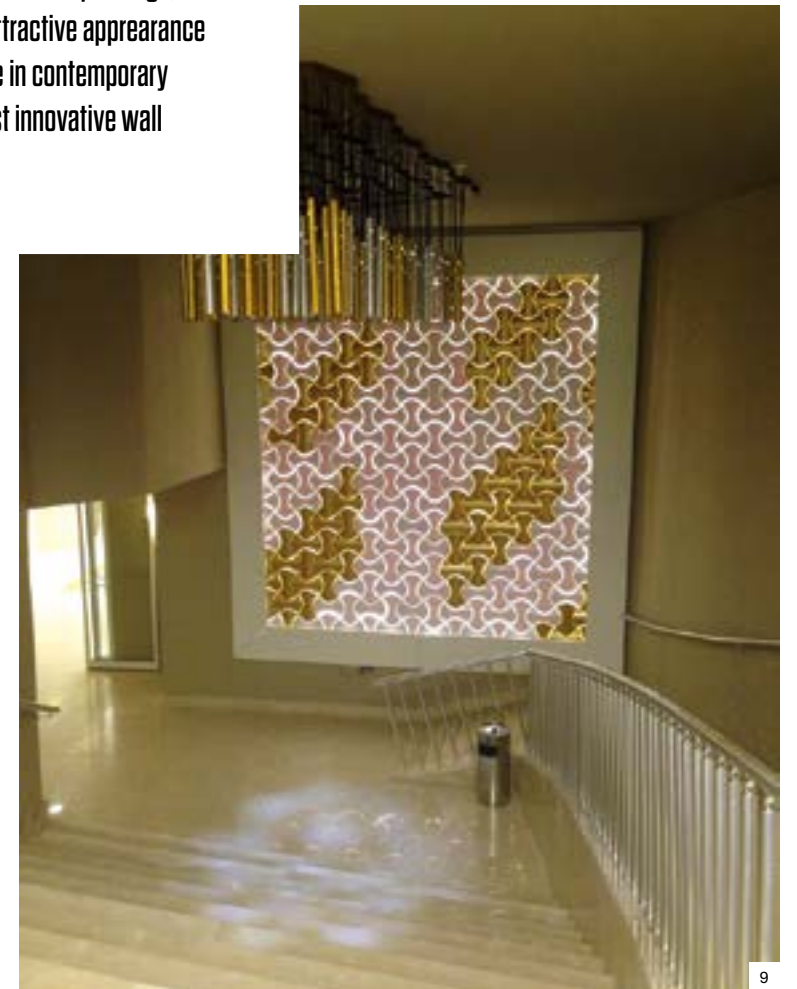
INTERIOR WALL & CEILING

“SPLINE” gives each wall or surface a unique character of its own.



innovative panel concept for today's architecture

Easiness of installation, practicability of packing system, unique concept design, modern elegant and attractive appearance support product usage in contemporary architecture. The latest innovative wall panel design of 2013



THE FINISHES OF THE CASE

There is not any standardized finish part of the product, the finishes can be selected to compliment the colors and textures of the surrounding interior spaces. It can be aluminum, wood, gypsum board or any other material.

Product Introduction Guide /Spline

Spline is modular system which can be extended in any direction and custom sizes to suit any spaces. It is available in a variety of Standard product such as; transparent, opaque and metallic colors.

There are 2 different kind of product specification;

Transperant (It can be changable by RGB led lights into any color) / (If the order is more than 100 sqm)

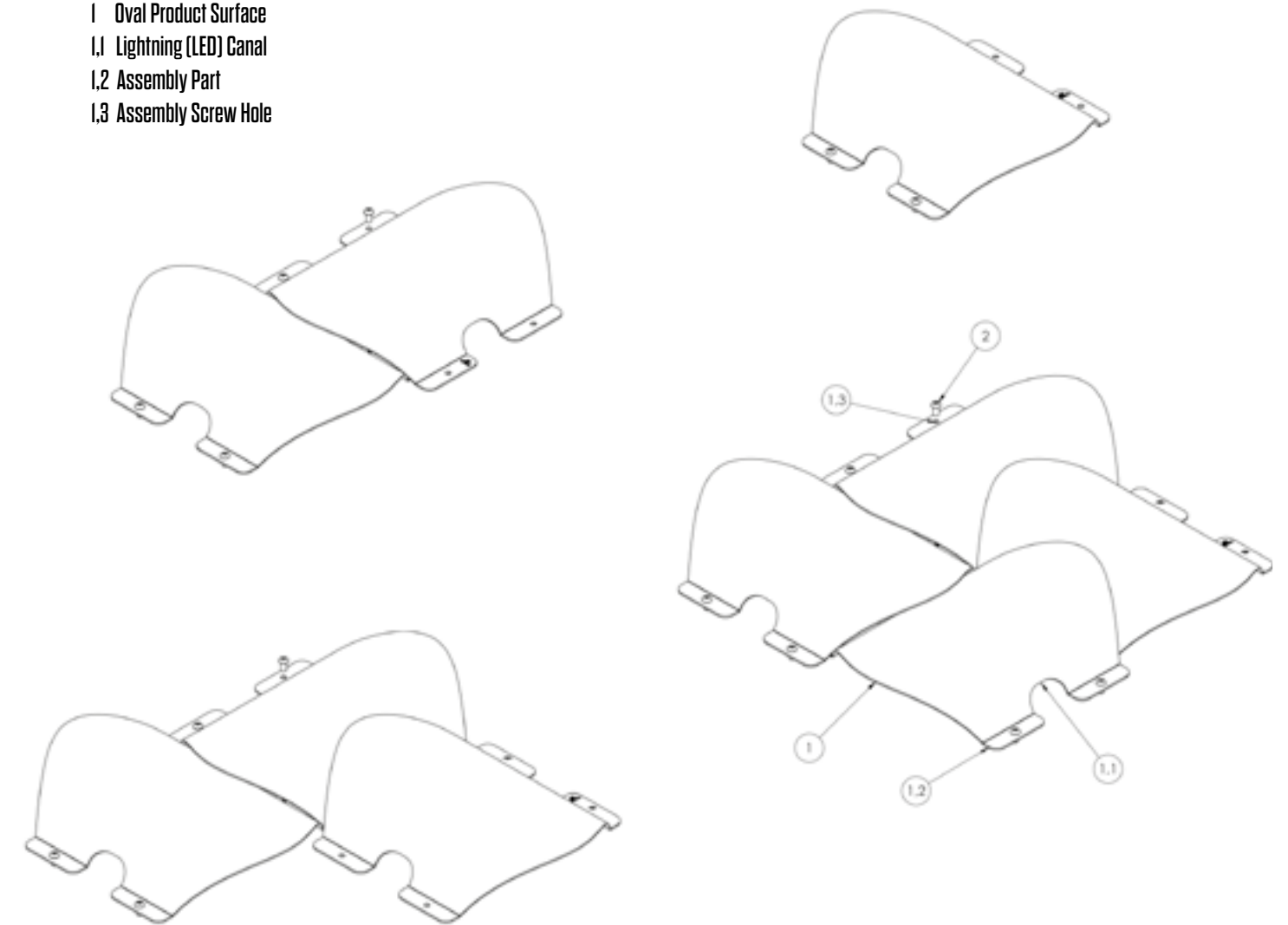
Metallic color there are few main colors such as;



Note: Any color can be applied for over 35 sqm order.

Product installation model shown as follow;

- 1 Oval Product Surface
- 1.1 Lightning (LED) Canal
- 1.2 Assembly Part
- 1.3 Assembly Screw Hole



NORM

This small hexagonal tile is laid on a surface pivoted at varied angles to show differing shades and create subtle imagery and graphics.

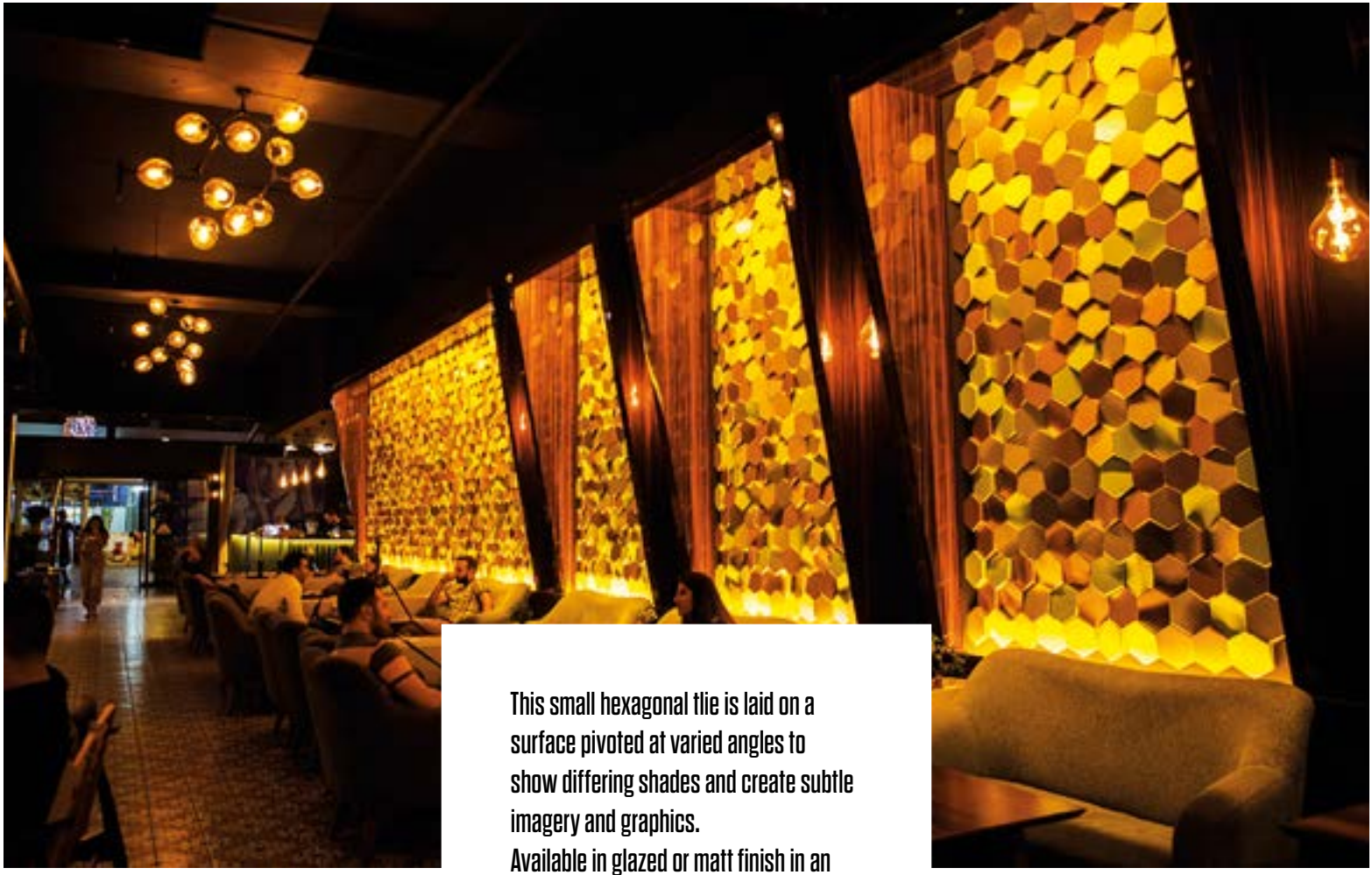


MODERN MODULAR DIMENSIONAL

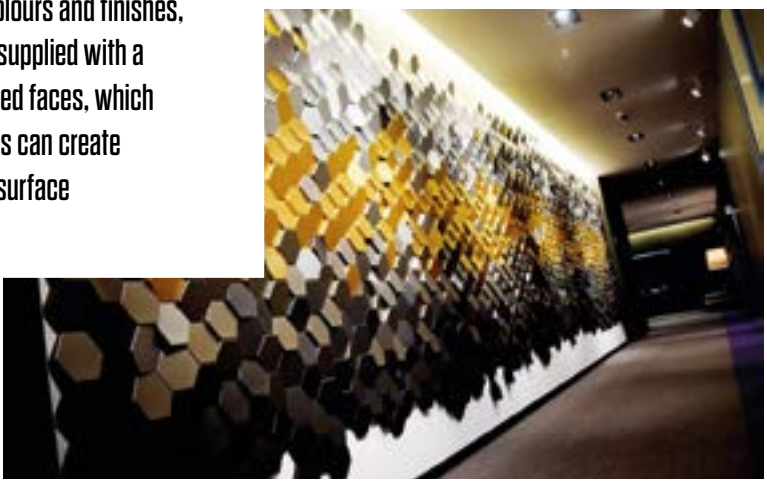
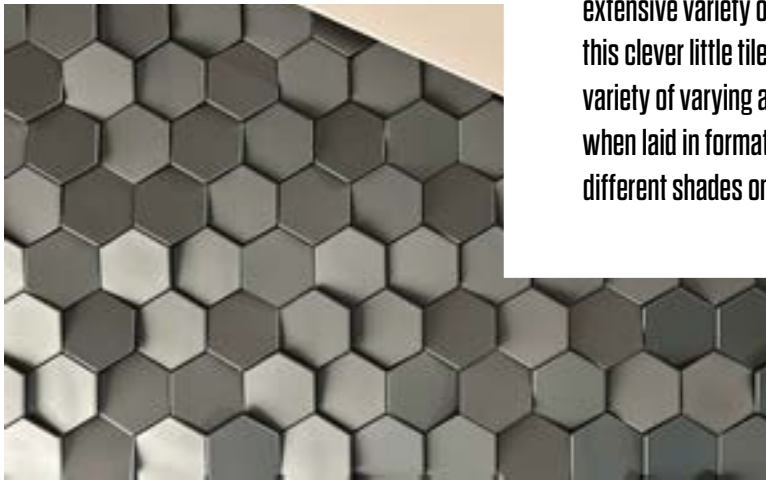
Sophisticated panels bring impact to spaces with functional pattern, texture and color



ARCHITECTURAL- TURAL SOLUTIONS



This small hexagonal tile is laid on a surface pivoted at varied angles to show differing shades and create subtle imagery and graphics. Available in glazed or matt finish in an extensive variety of colours and finishes, this clever little tile is supplied with a variety of varying angled faces, which when laid in formations can create different shades on a surface





MAKE A BIG ENTRANCE

Flexible modular tiles available in a wide variety of finishes meet your unique design vision.



Design with the ability to create infinite concept. This easy-to-install modular system can be used in a variety of applications for your unique design-intent.



MODULAR WALL ARTS

This mesmerizing panelling is made up of small hexagonal tiles on a surface pivoted at varied angles to show different shades and create imagery and graphics.



3D Wall Company, specialises in the development of truly innovative surface and interior design projects. Our company prides it self on the ability to deliver a diverse range of serface solutions that marry architecture with beautiful interior finish through inspiring surface development.

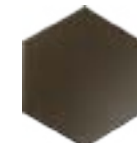
Product Introduction Guide / Norm

Norm was designed as a modular wall design panel at the beginning of Agust 2014 by 3D WALL.

Norm model has modular lines which bring impact to spaces with pattern, texture and color.

There will be 2 different part: 1 - buttom installation part 2 - upper visual part

The upper visual part will be installed after the bottom part. The sub-frame part has screwing and centering holes. It can be centered to each other easily. The installation method is same as LEGO system.



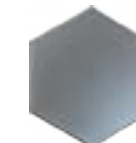
Mink



Black



Gold



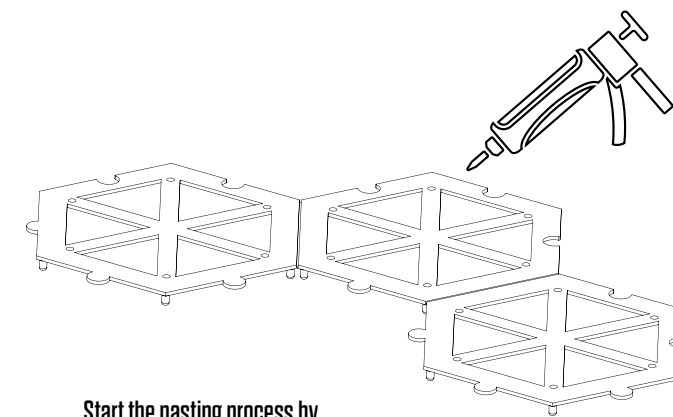
Silver



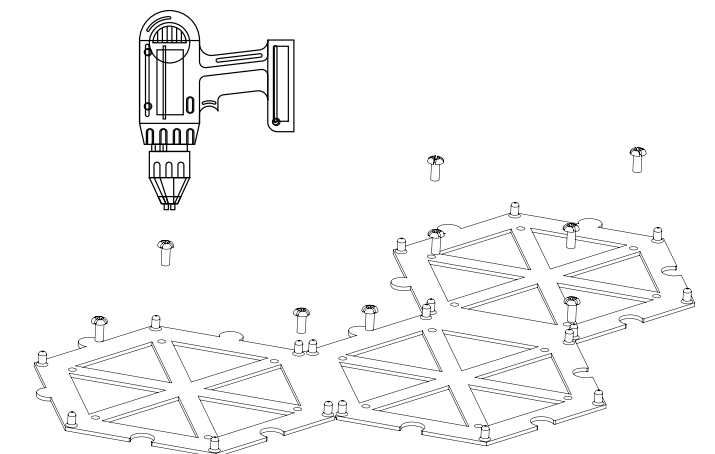
Smoke Grey



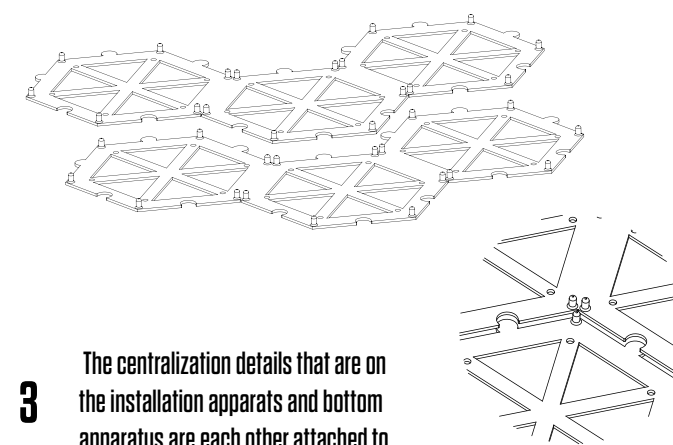
White



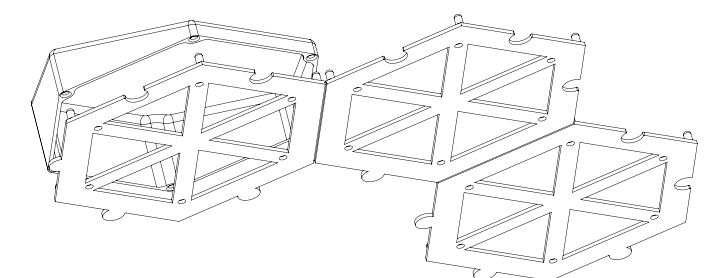
1 Start the pasting process by applying silicone behind the bottom apparatus.



2 Once the pasting process is over, strengthen the apparatus by screwing it from determined points.



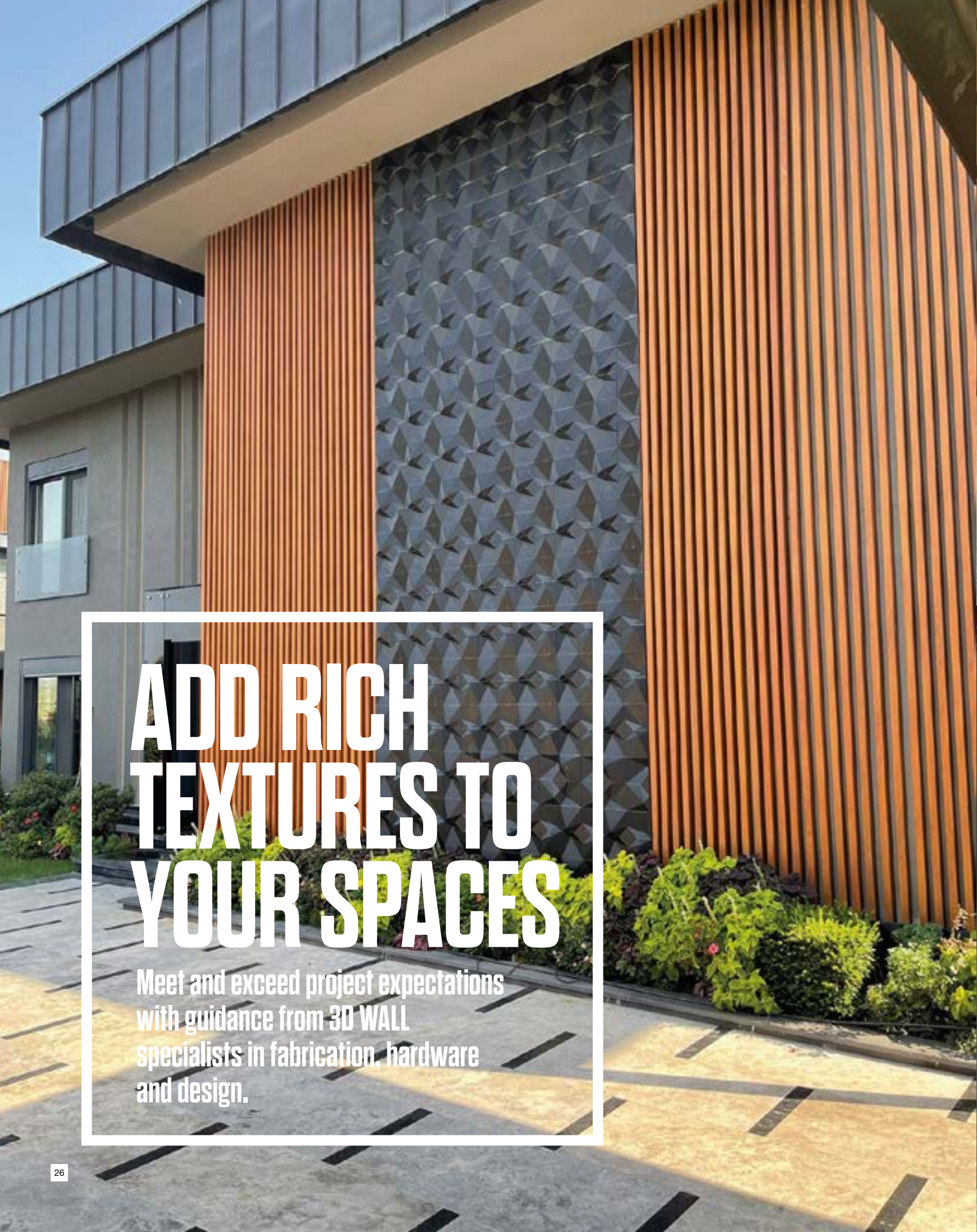
3 The centralization details that are on the installation apparats and bottom apparatus are each other.attached to



4 Complete the installation process by attaching the pin space holes that are on the inside of the top parts of the product to the pin bulges that are on the bottom installation apparatus.

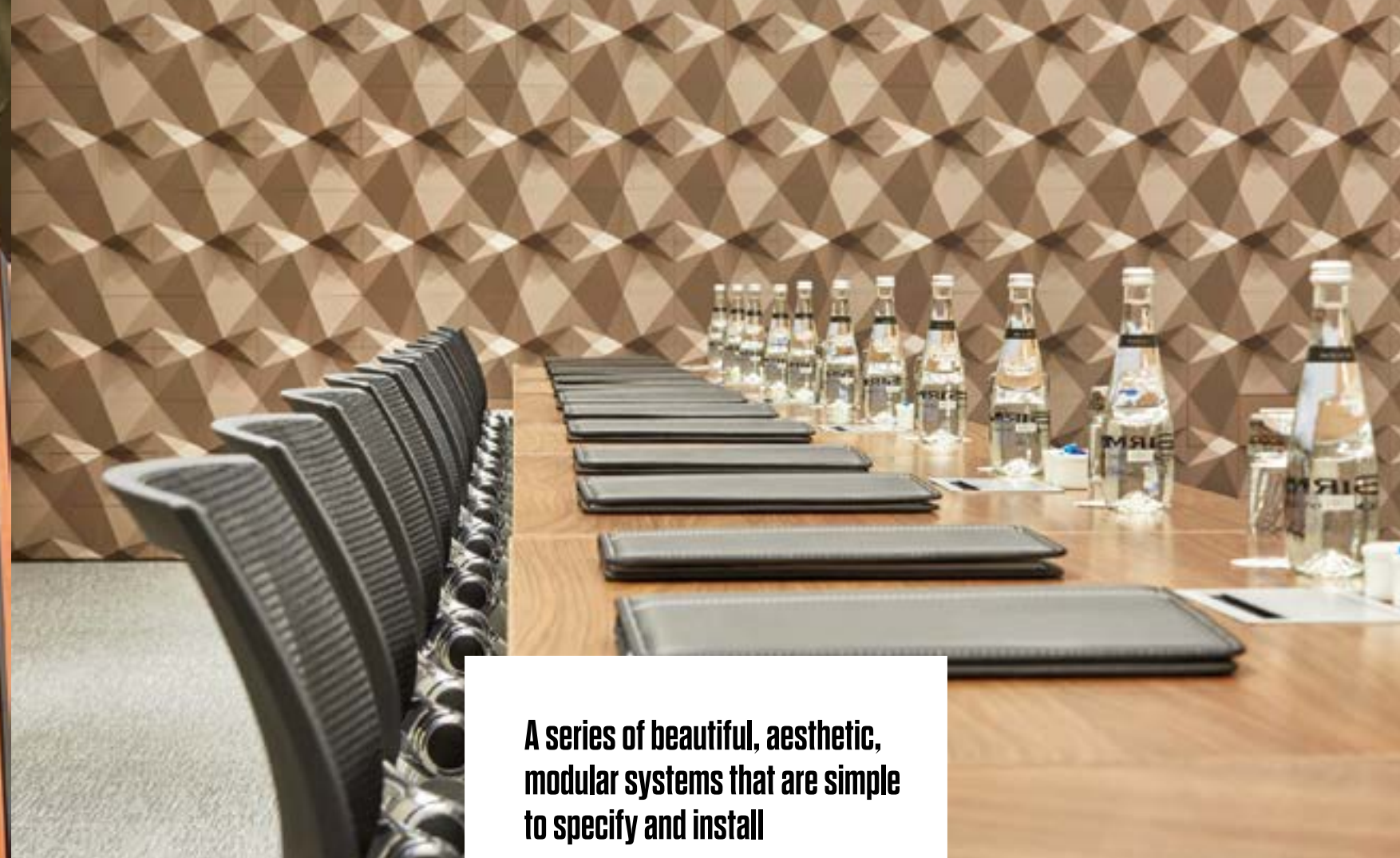
PENTA

Penta, from the Ancient Greek meaning “combining from of five” consist of a modular tile designed using irregular concave & convex lines at different highs and angles on the plan. The different highs and angles give a sense of depths to the wall by playing with the lights and shadows created by Penta's asymmetric geometry.



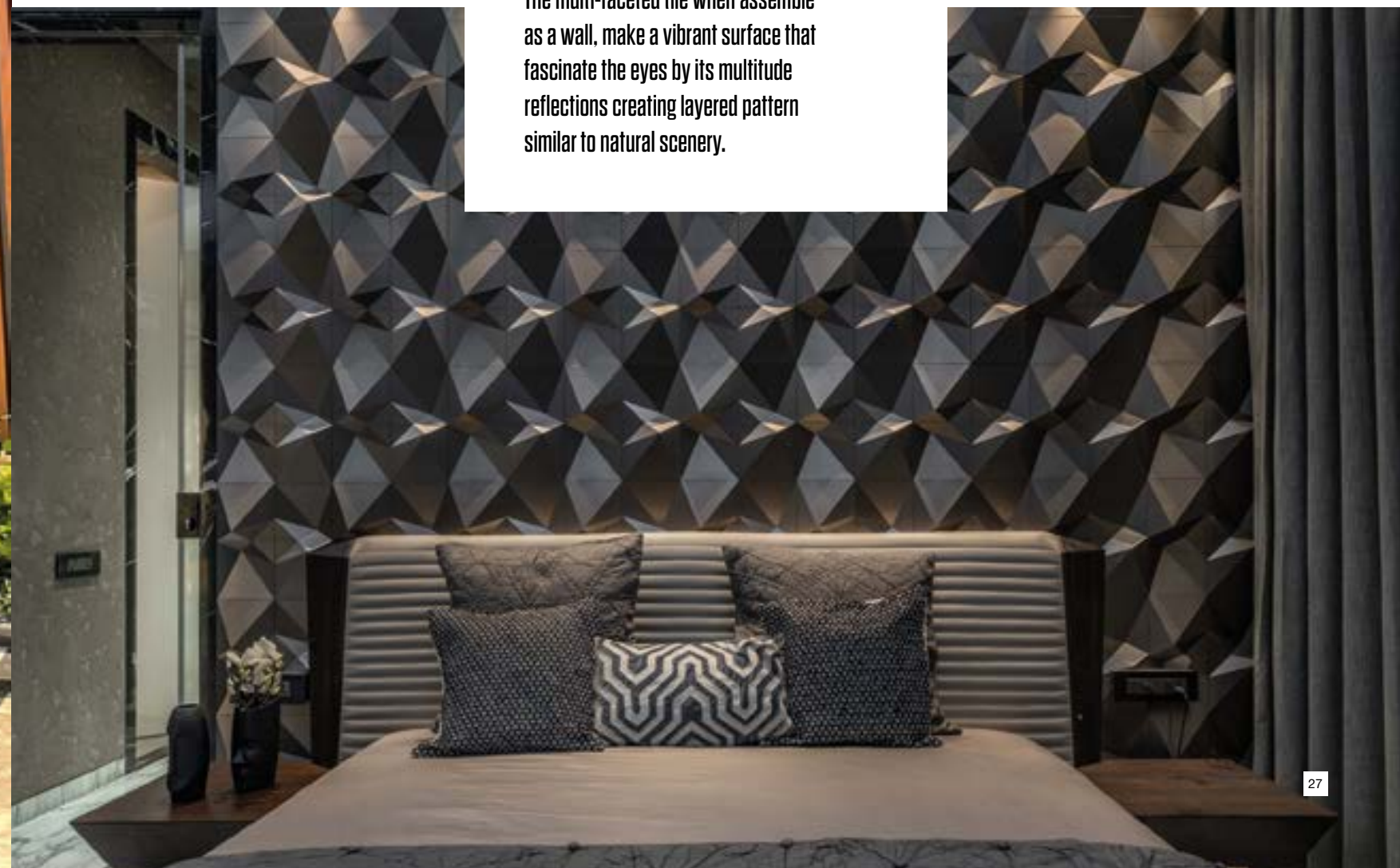
ADD RICH TEXTURES TO YOUR SPACES

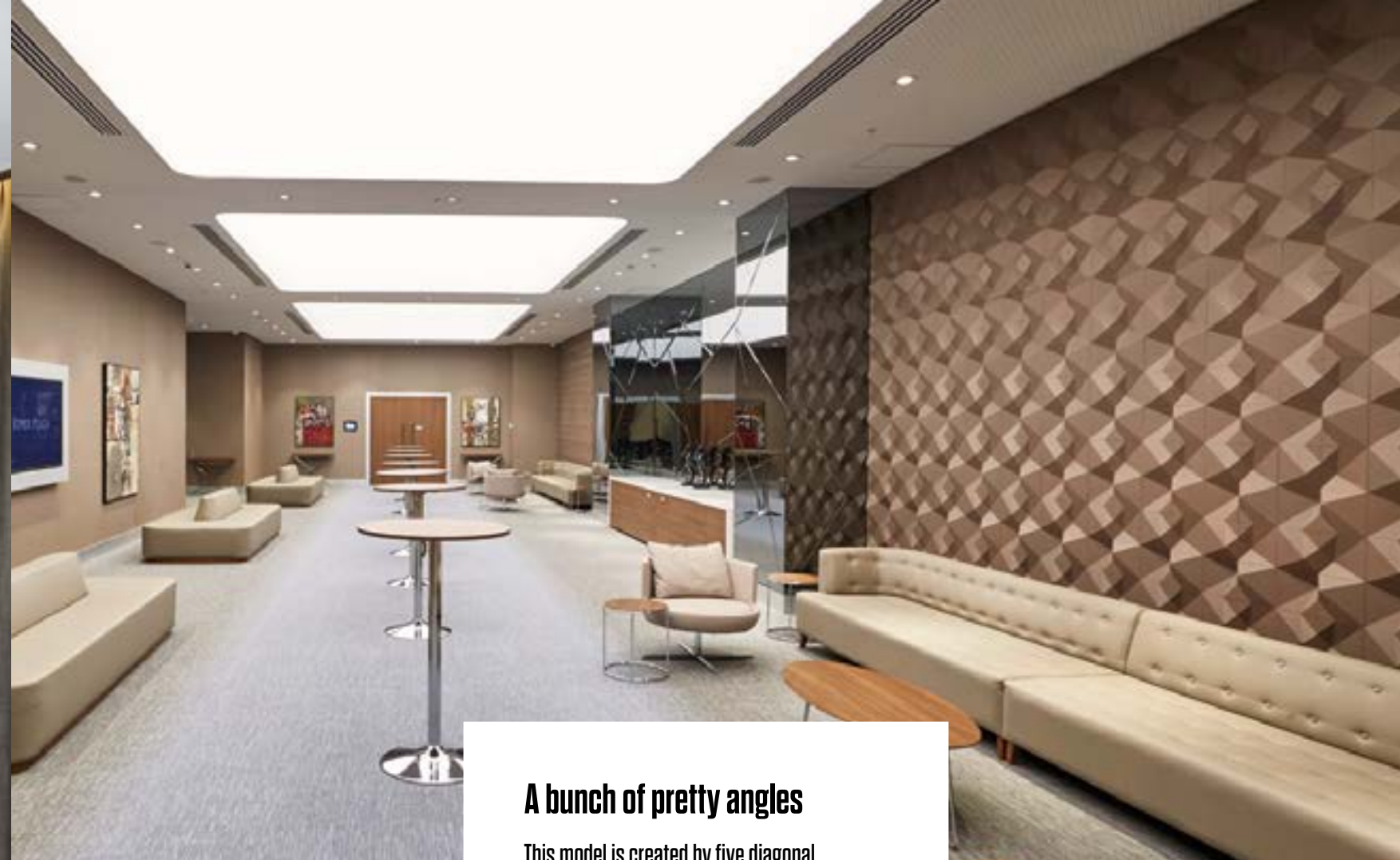
Meet and exceed project expectations with guidance from 3D WALL specialists in fabrication, hardware and design.



A series of beautiful, aesthetic, modular systems that are simple to specify and install

The multi-faceted tile when assembled as a wall, makes a vibrant surface that fascinates the eyes by its multitude of reflections creating a layered pattern similar to natural scenery.

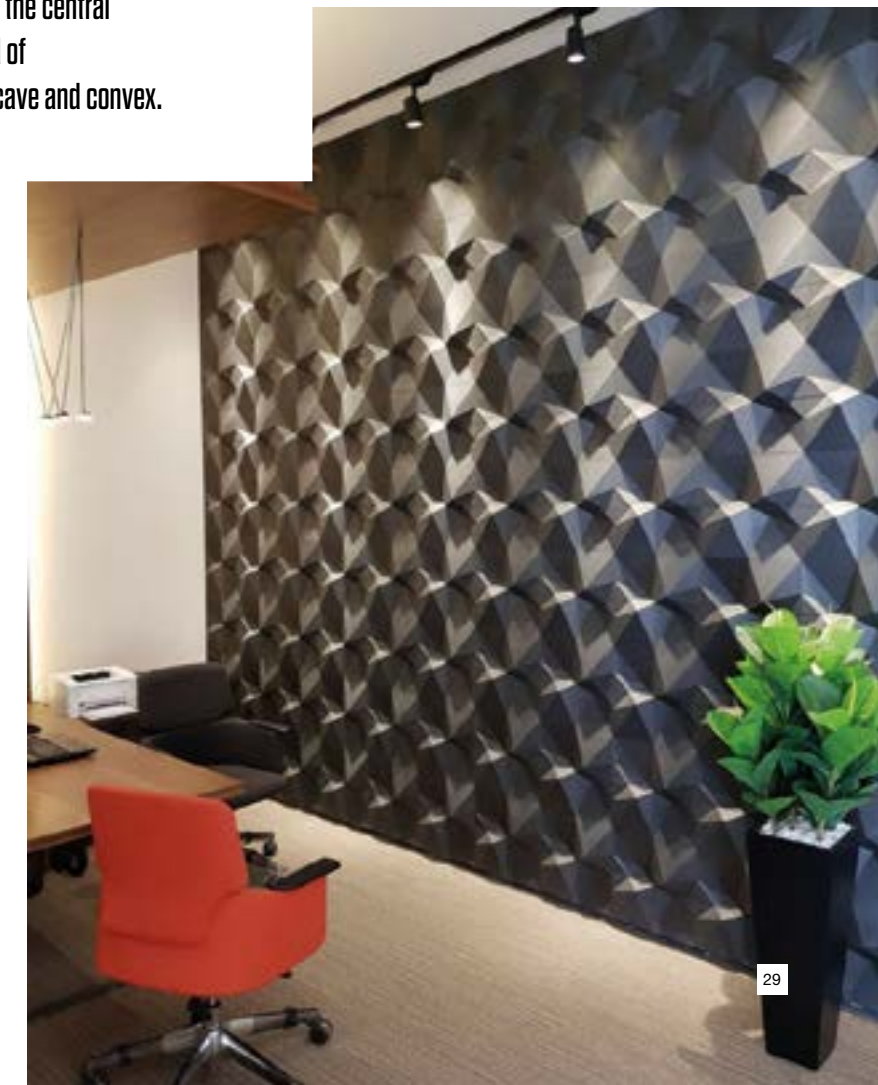




A bunch of pretty angles

This model is created by five diagonal lines that emerge from the central square. It is composed of two tiles which is concave and convex.

A BUNCH OF PRETTY ANGLES





3D Wall Company, specialises in the development of truly innovative surface and interior design projects. Our company prides it self on the ability to deliver a diverse range of surface solutions that marry architecture with beautiful interior finish through inspiring surface development.

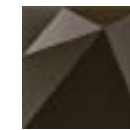


Product Introduction Guide / Penta

Penta was designed as a modular wall design panel at the middle of April 2016 by 3D WALL. Penta model has modular lines which bring impact to spaces with pattern, texture and color.

There will be 2 different part: 1 - bottom installation part 2 - upper visual part

The upper visual part will be installed after the bottom part. The sub-frame part has screwing and centering holes. It can be centered to each other easily. The installation method is same as LEGO system.



Mink



Black



Gold



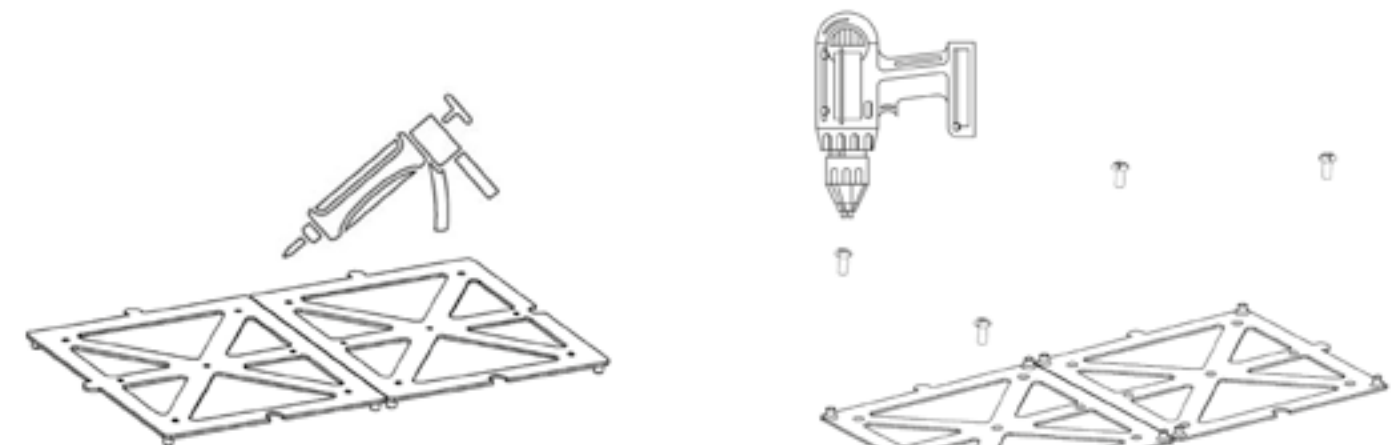
Silver



Smoke Grey

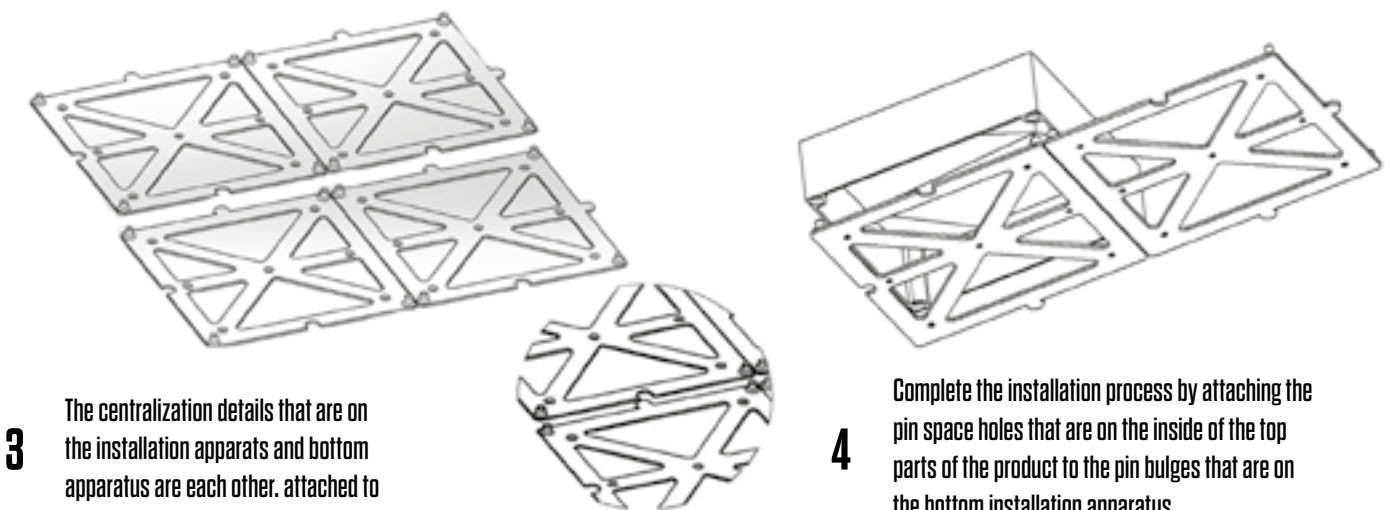


White



1 Start the pasting process by applying silicone behind the bottom apparatus.

2 Once the pasting process is over, strengthen the apparatus by screwing it from determined points.



3 The centralization details that are on the installation apparatus and bottom apparatus are each other, attached to

4 Complete the installation process by attaching the pin space holes that are on the inside of the top parts of the product to the pin bulges that are on the bottom installation apparatus.

MABEL

This small polygonal tiles in opposing directions to create a subtle geometric stripe. Design of the tile give a sense of depths to the Wall by playing with the lights and shadows created by Mabel 's polygonal geometry.



**THE POWER
OF PLAYFUL
TEXTURE**



Design Idea of 'MABEL'
A contemporary tile Mabel takes it's root from oats head which laid on wide spaces in a great harmony and rhythm. We combined cultural heritage of nature with architecture and inspired oats head forms designing "Mabel".

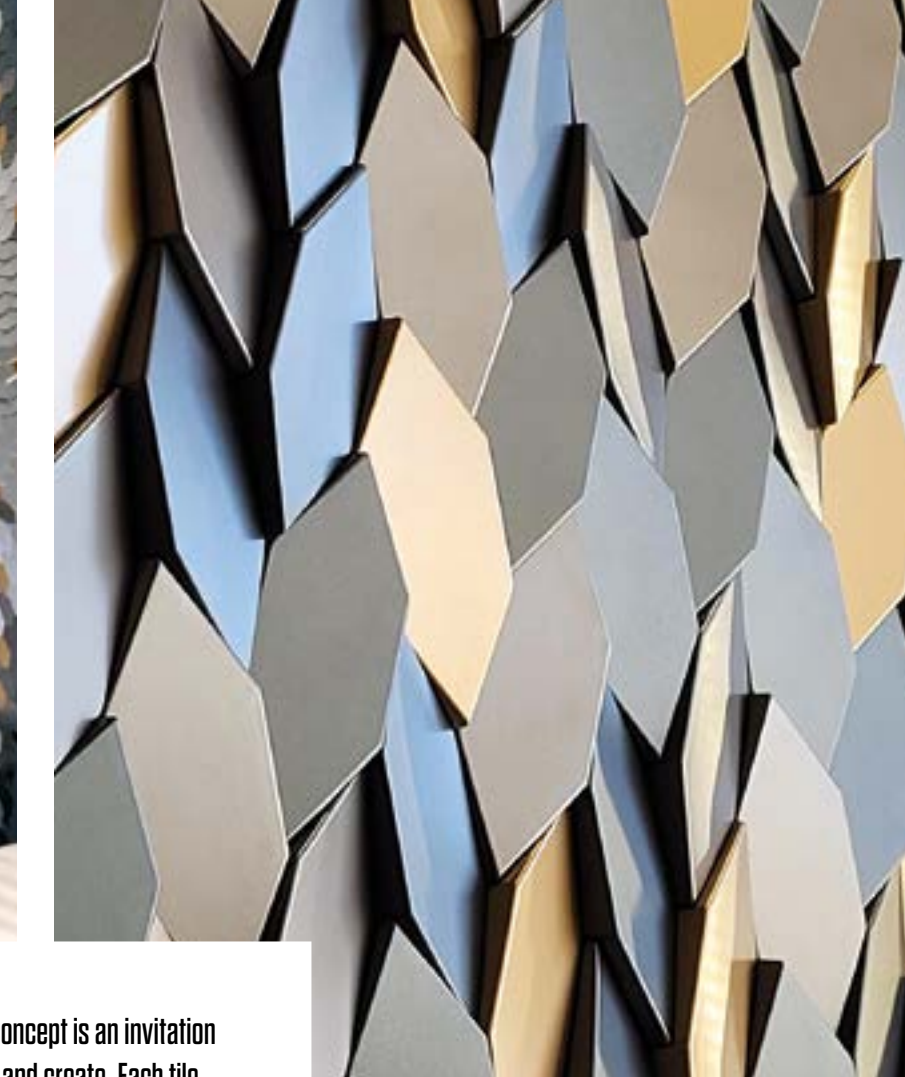


INDEPENDENT MOVES & INFINITE DESIGNS

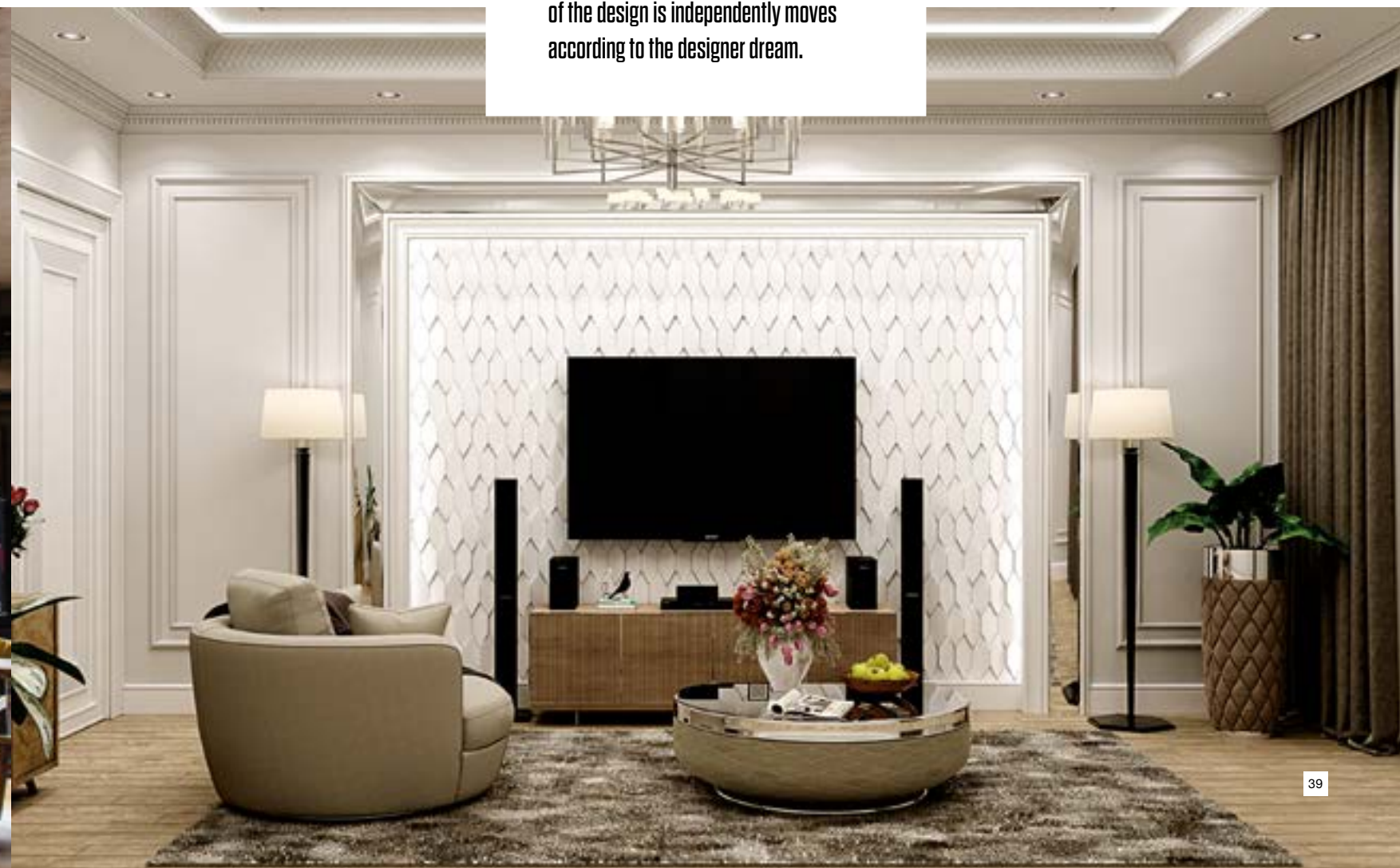


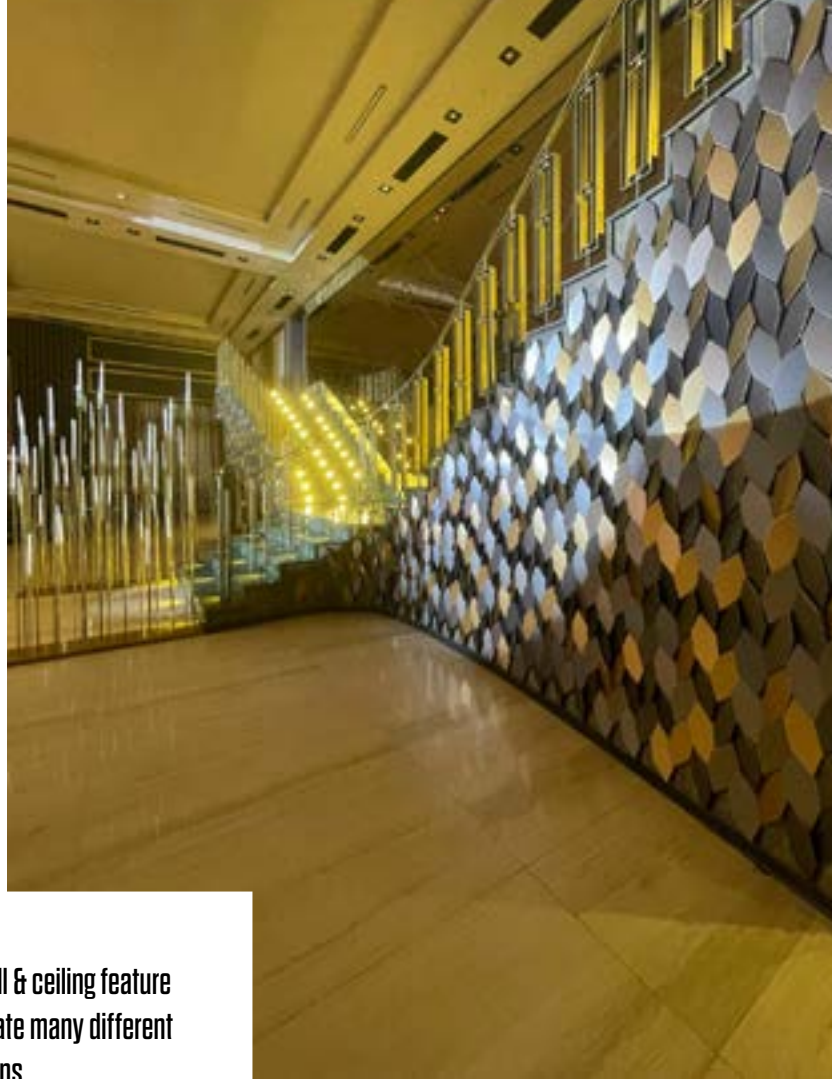
Mabel's design concept is an invitation to imagine, play and create. Each tile of the design is independently moves according to the designer dream.





Mabel's design concept is an invitation to imagine, play and create. Each tile of the design is independently moves according to the designer dream.





A modern, textural wall & ceiling feature of Mabel let you to create many different magnificent wall designs. The power of the design gives each Wall or ceiling a unique character of its own.

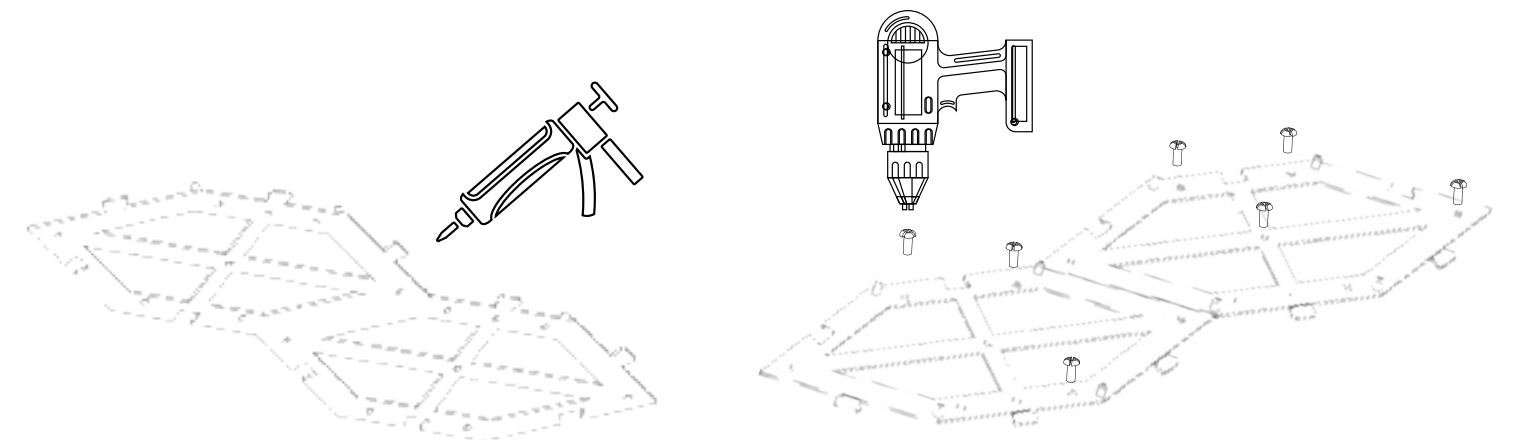
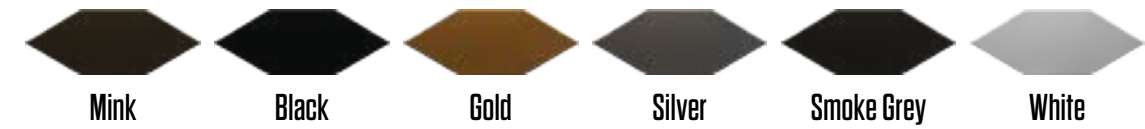


Product Introduction Guide / Mabel

Mabel is the newest and latest wall design panel of the world which was launched at the beginning of March 2018 by 3D WALL. Mabel model has model modular lines which bring impact to spaces with pattern, texture and color.

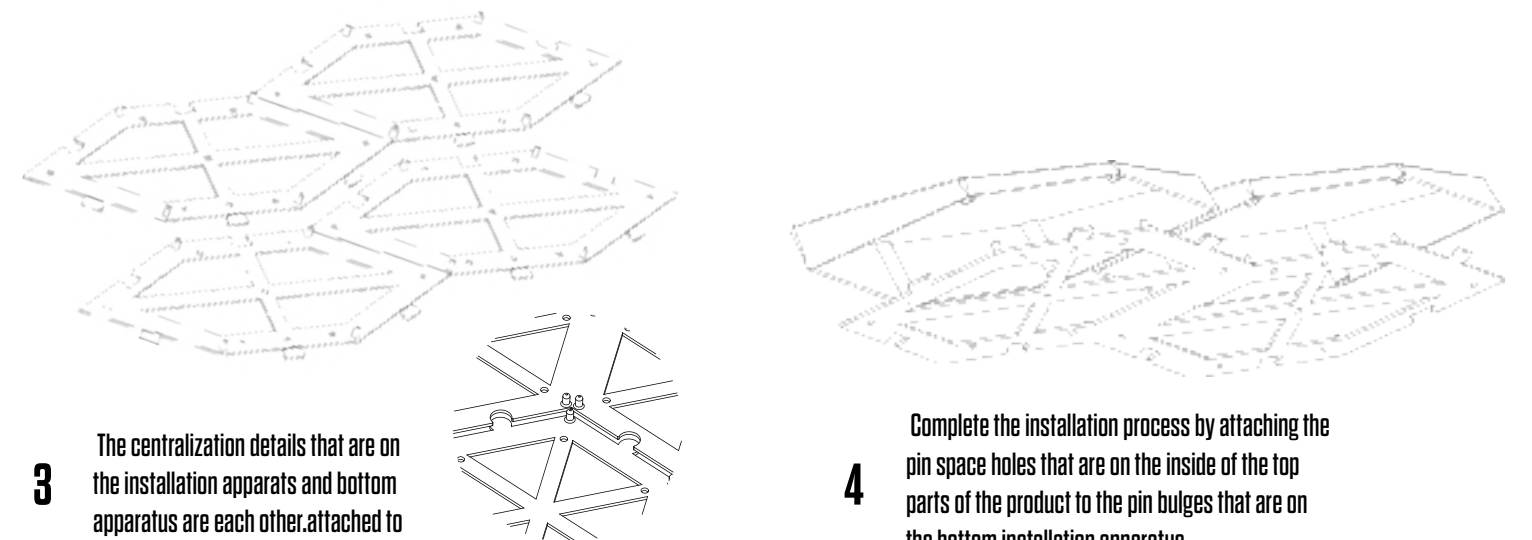
There will be 2 different part: 1 - bottom installation part 2 - upper visual part

The upper visual part will be installed after the bottom part. The sub-frame part has screwing and centering holes. It can be centered to each other easily. The installation method is same as LEGO system.



1 Start the pasting process by applying silicone behind the bottom apparatus.

2 Once the pasting process is over, strengthen the apparatus by screwing it from determined points.



3 The centralization details that are on the installation apparatus and bottom apparatus are each other attached to

4 Complete the installation process by attaching the pin space holes that are on the inside of the top parts of the product to the pin bulges that are on the bottom installation apparatus.

ZETA

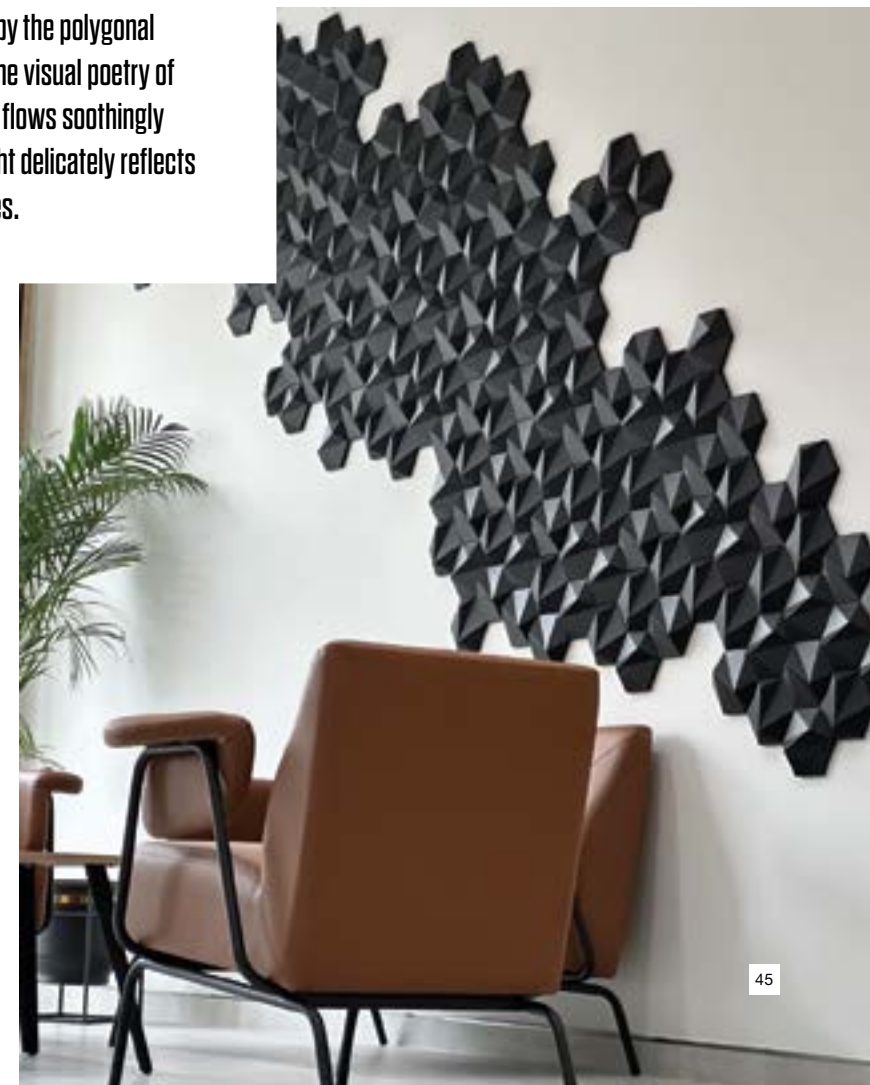
Featuring three-dimensional hexagonal tiles, “ZETA” is an elegant version of the honeycomb pattern that is available in both glazed and matt finishes as well as different colors. Their angled faces lead to a nuanced symphony of shades and can be arranged to create subtle images and graphics.


THE POWER OF PLAYFUL TEXTURE




Design Idea of 'ZETA'

ZETA decorative wall tiles which creates realistic three dimensional view with its symmetrical sharp lines. Those seeking a modern romance slant in their interiors will be blown away by the polygonal geometry of ZETA . The visual poetry of understated shades flows soothingly when the natural light delicately reflects off the polygonal tiles.





INDEPENDENT MOVES & INFINITE DESIGNS



An entrancing 3D wall panel, ZETA comprises of small hexagonal tiles of varying angled faces which can be arranged creatively to bring elegant imagery and graphics to life.



Design Idea of 'ZETA'

ZETA decorative wall tiles which creates realistic three dimensional view with its symmetrical sharp lines. Those seeking a modern romance slant in their interiors will be blown away by the polygonal geometry of ZETA . The visual poetry of understated shades flows soothingly when the natural light delicately reflects off the polygonal tiles.



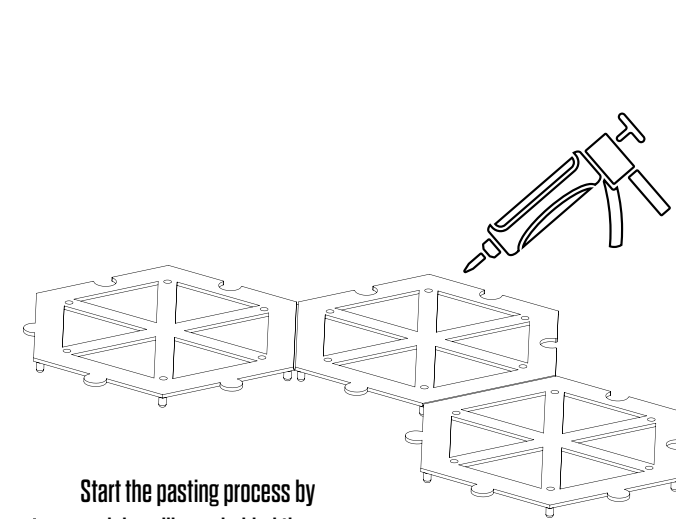
Angular and askew, Zeta celebrates the beauty of asymmetry. Comprising 3-dimensional tiles, Zeta takes its inspiration from the art of origami where complex geometry is woven by folding the paper. Just like in origami, the uneven surfaces of the 3D tiles are folded onto one plane to engender an intricate hexagonal shape. Whether in randomized configurations or intentional graphic arrangements, Zeta's playful interaction with light and shadow is sure to seize the attention of the viewers.

Product Introduction Guide / Zeta

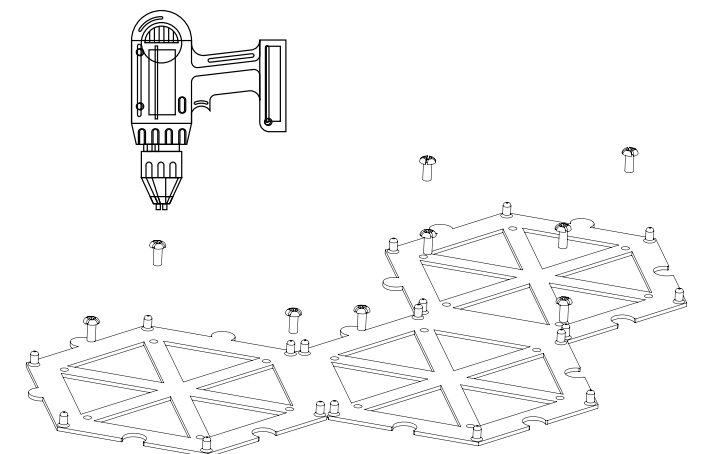
Zeta is the newest and latest wall design panel of the world which was launched at the beginning of April 2019 by 3D WALL. Zeta model has model modular lines which bring impact to spaces with pattern, texture and color.

There will be 2 different part: 1 - bottom installation part 2 - upper visual part

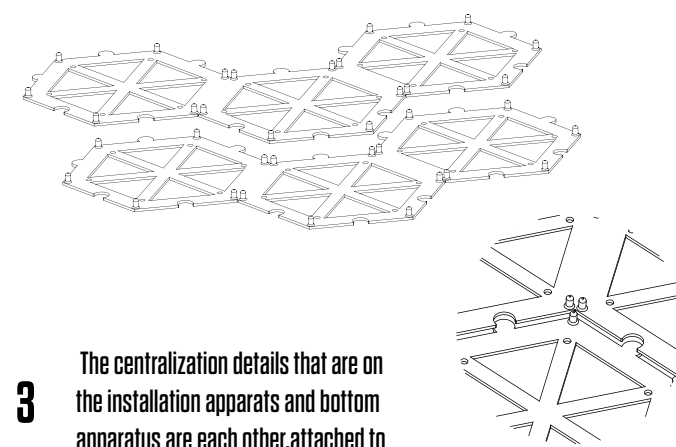
The upper visual part will be installed after the bottom part. The sub-frame part has screwing and centering holes. It can be centered to each other easily. The installation method is same as LEGO system.



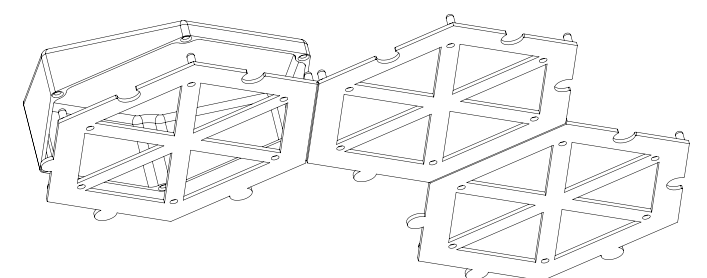
1 Start the pasting process by applying silicone behind the bottom apparatus.



2 Once the pasting process is over, strengthen the apparatus by screwing it from determined points.



3 The centralization details that are on the installation apparatus and bottom apparatus are each other attached to



4 Complete the installation process by attaching the pin space holes that are on the inside of the top parts of the product to the pin bulges that are on the bottom installation apparatus.



With this new design, we reveal the first model of the 2nd generation and offer you the endless combination option of three independent lines. With this new generation 3D wall covering, which you can use three different tiles in the form of Flat, Pyramid and Polygon together or independently, your space captures the feeling of elegance, nobility and grandeur.

**ELEGANT &
MAGNIFICENT
LINES**



RY
BLEM
AN
UNITY
ORA
ION



Design Idea of 'NAVA'

NAVA decorative wall tiles which creates realistic three dimensional view with its symmetrical sharp lines. Those seeking a modern romance slant in their interiors will be blown away by the polygonal geometry of NAVA . The visual poetry of understated shades flows soothingly when the natural light delicately reflects off the polygonal tiles.





An entrancing 3D wall panel, NAVA comprises of small triangular tiles of varying angled faces which can be arranged creatively to bring elegant imagery and graphics to life.



Your space captures the feeling of elegance, nobility and grandeur.

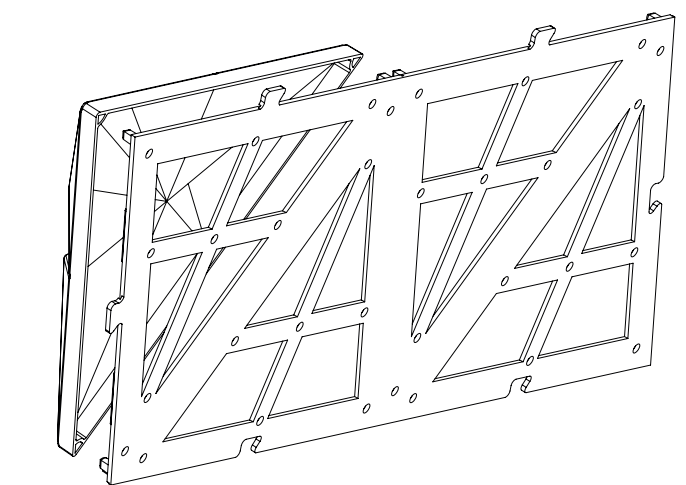
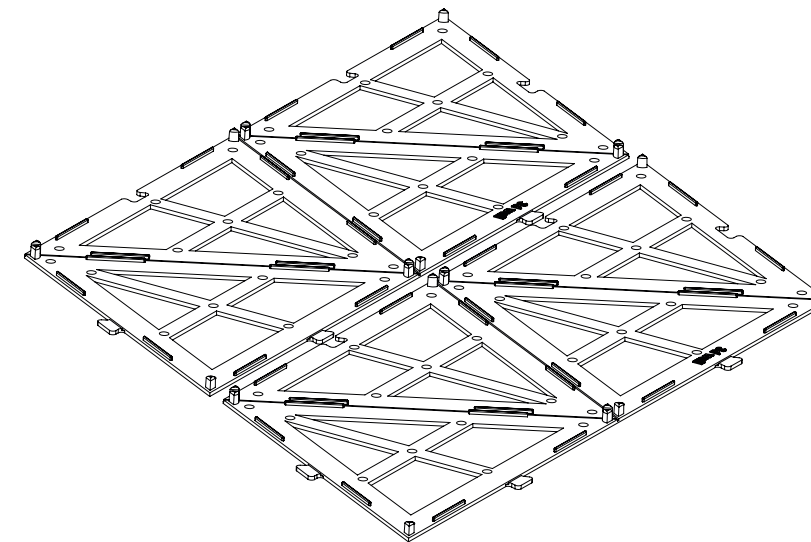
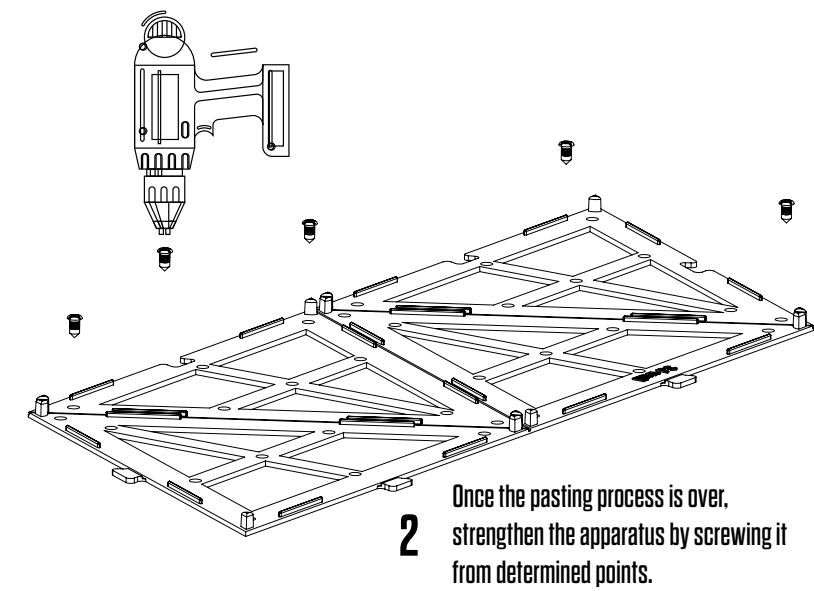
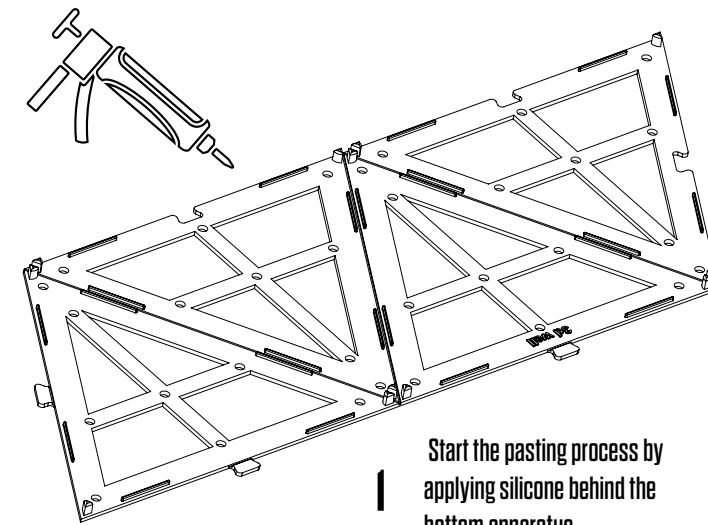
Angular and askew, Nava celebrates the beauty of asymmetry. Comprising 3-dimensional tiles, Nava takes its inspiration from the art of origami where complex geometry is woven by folding the paper. Just like in origami, the uneven surfaces of the 3D tiles are folded onto one plane to engender an intricate triangular shape. Whether in randomized configurations or intentional graphic arrangements, Nava's playful interaction with light and shadow is sure to seize the attention of the viewers.

Product Introduction Guide / Nava

The first model of 2nd generation 'NAVA' was launched at the beginning of 2021. This model is formed by combining 3 different tiles. You can create many different patterns by using flat, pyramid and polygon tiles together or separately.

There will be 2 different part: 1 - bottom installation part 2 - upper visual part

The upper visual part will be installed after the bottom part. The sub-frame part has screwing and centering holes. It can be centered to each other easily. The installation method is same as LEGO system.



SOHO

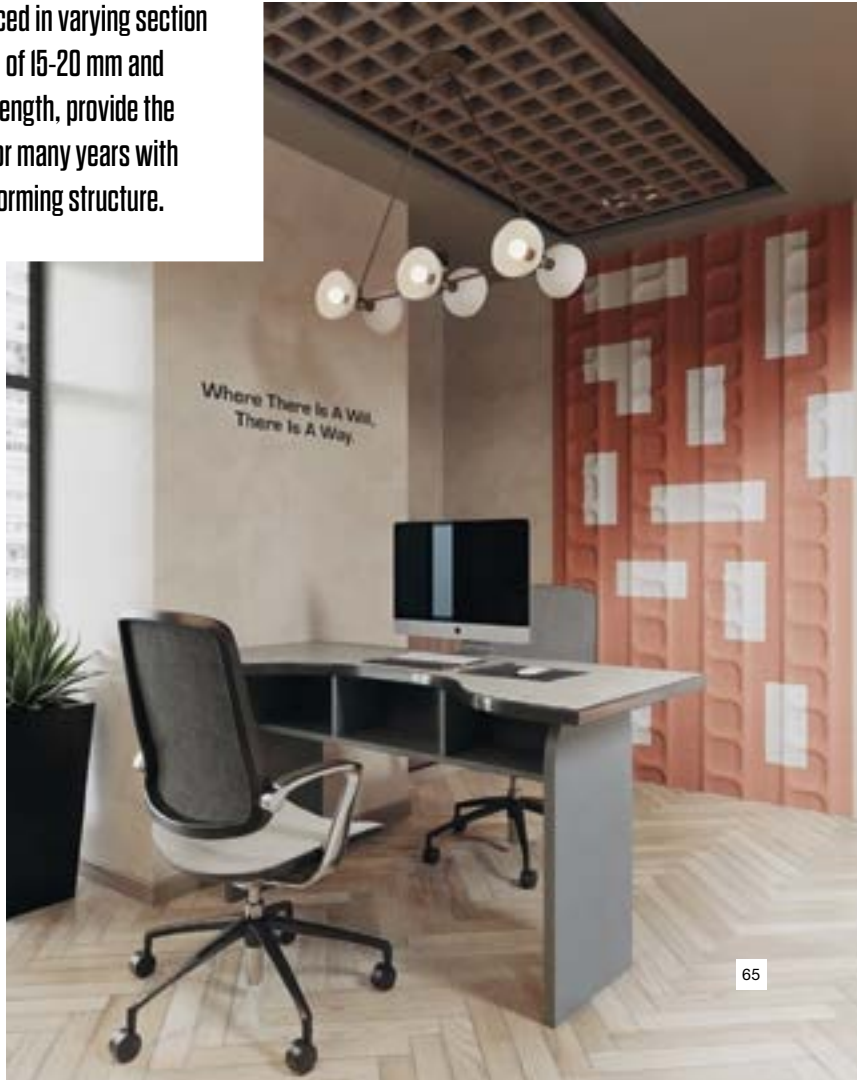
SOHO, which was designed by referring to the fluidity and simplicity of modern design, adapts to many spaces thanks to the diversity in its fiction and compositions. It creates an extremely warm ambiance with its stable and soft lines in its form. In places where it is applied such as cafes, restaurants, hotels, educational buildings, health buildings and plaza entrance areas, it offers visual elegance to the spaces with the soft shadows that occur when artificial and natural light is reflected on its surface from different angles.

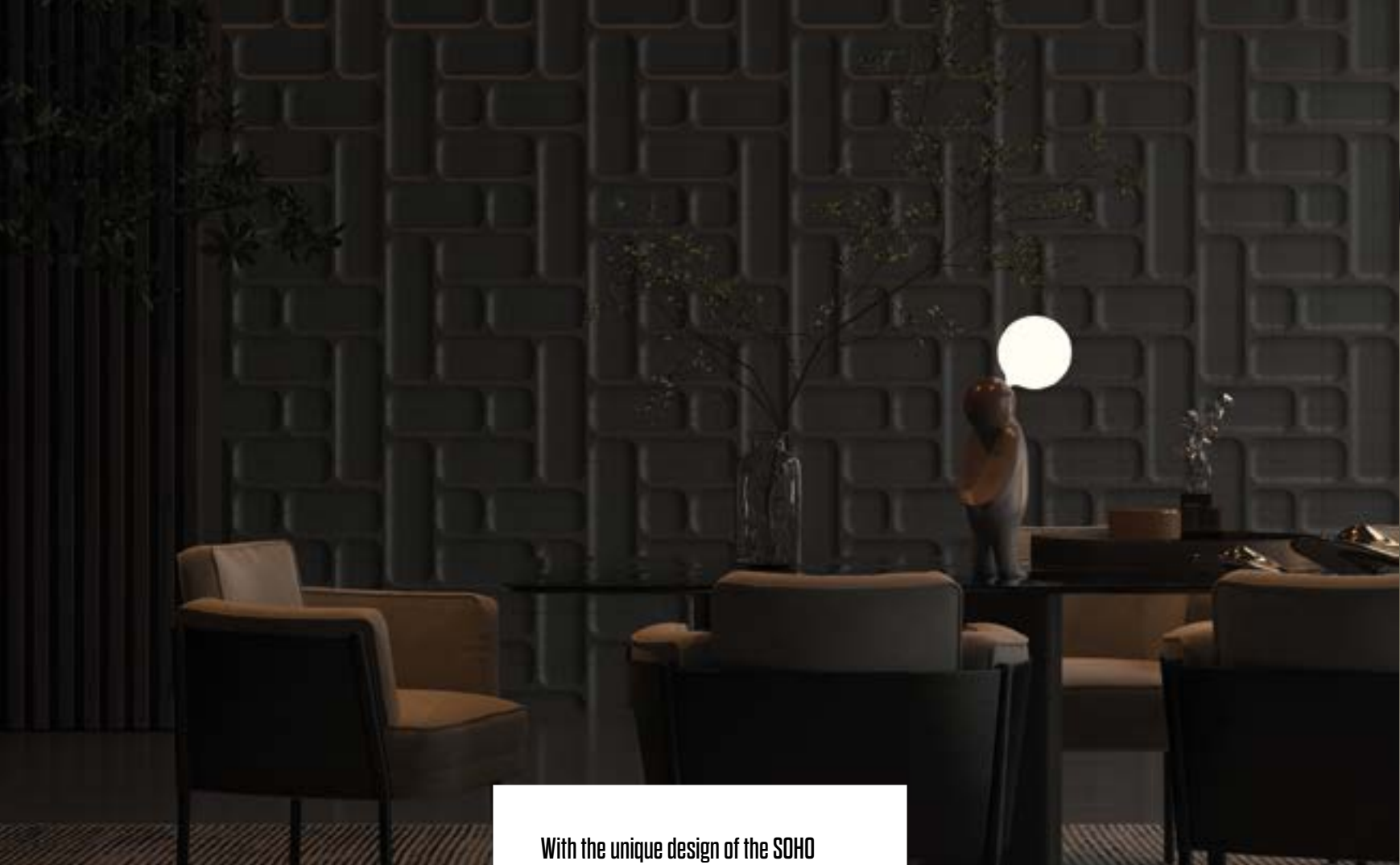
SIMPLICITY OF MODERN DESIGN



Design Idea of 'SOHO'

3D WALL panels, which do not put extra load on the building thanks to their light structure, they are durable and long-lasting panels in the industry. The decorative application panels, which are produced in varying section thicknesses in the range of 15-20 mm and reached to maximum strength, provide the opportunity to be used for many years with their strong and non-deforming structure.



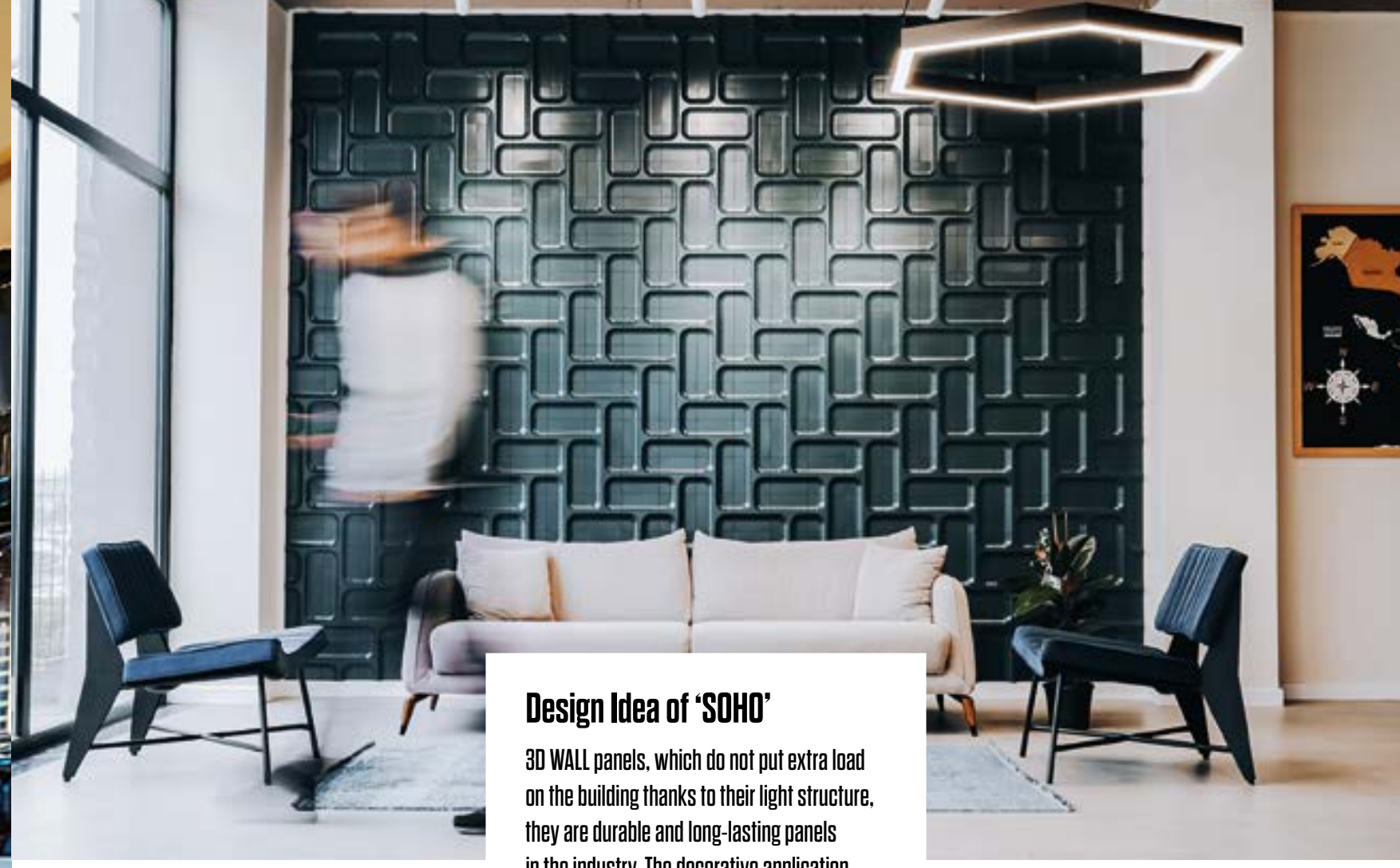


With the unique design of the SOHO model, you can create many different patterns and surfaces.



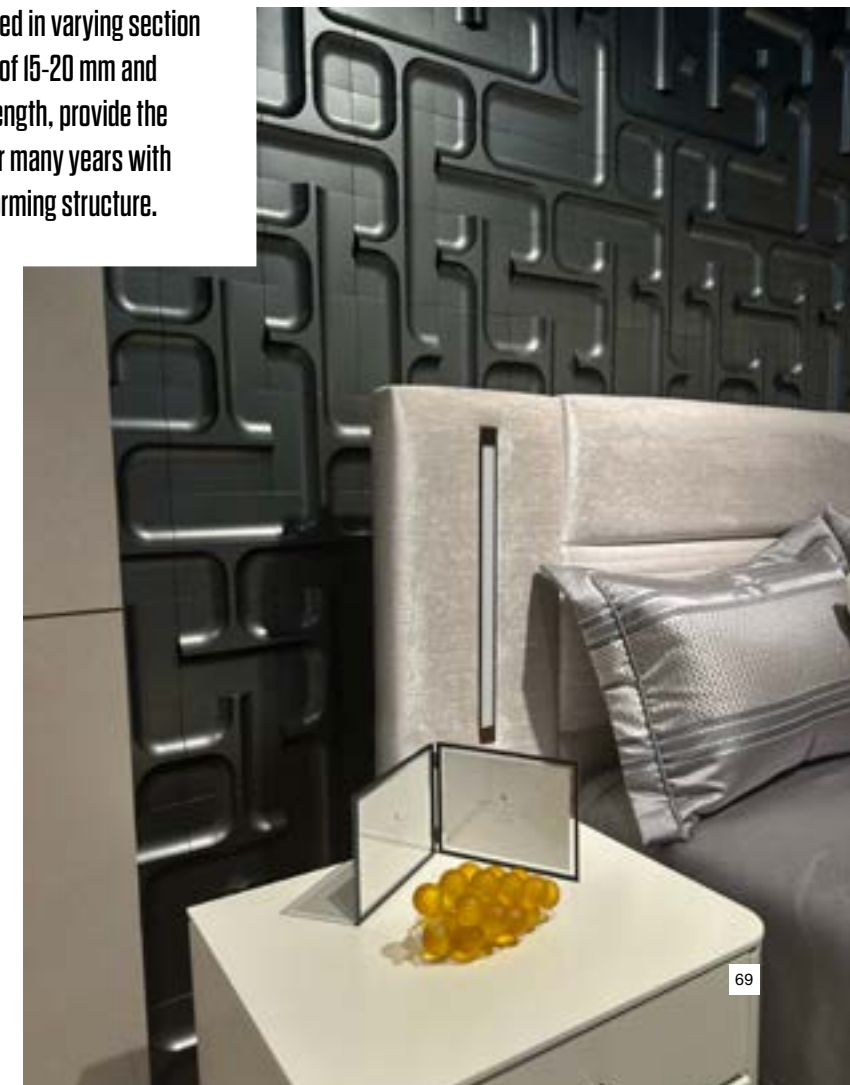
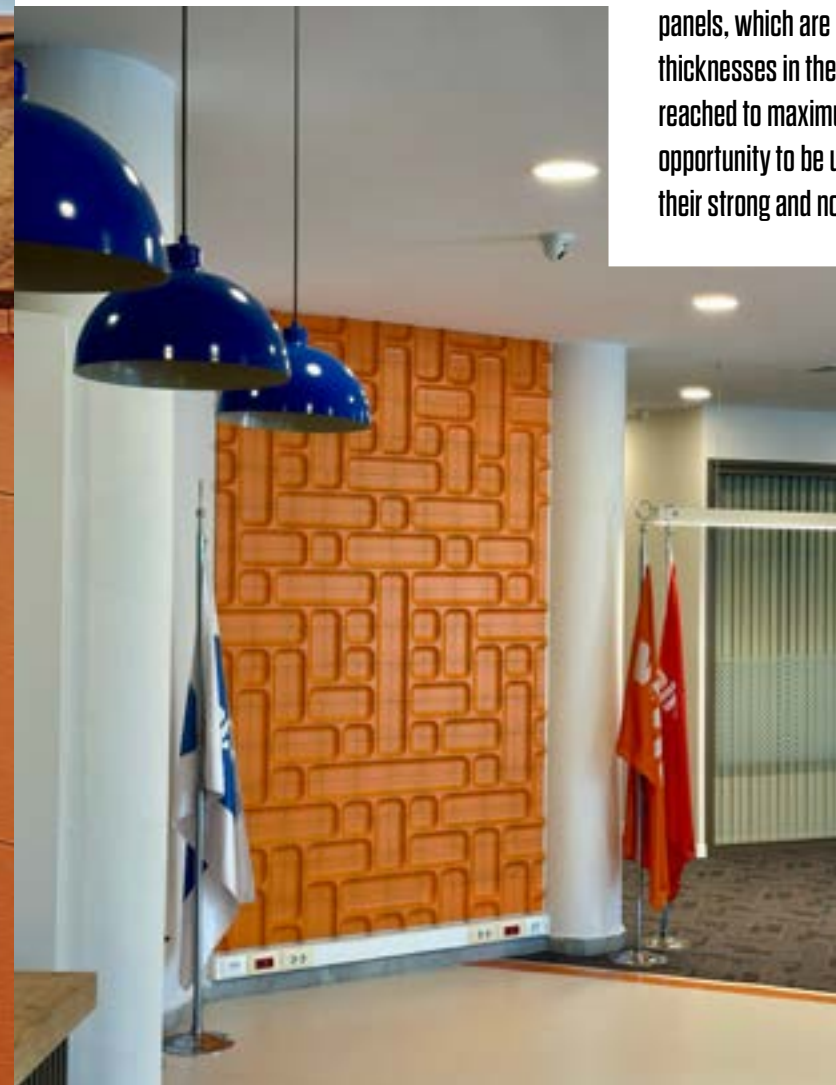
**GET READY
TO ATTRACT
ATTENTION.**

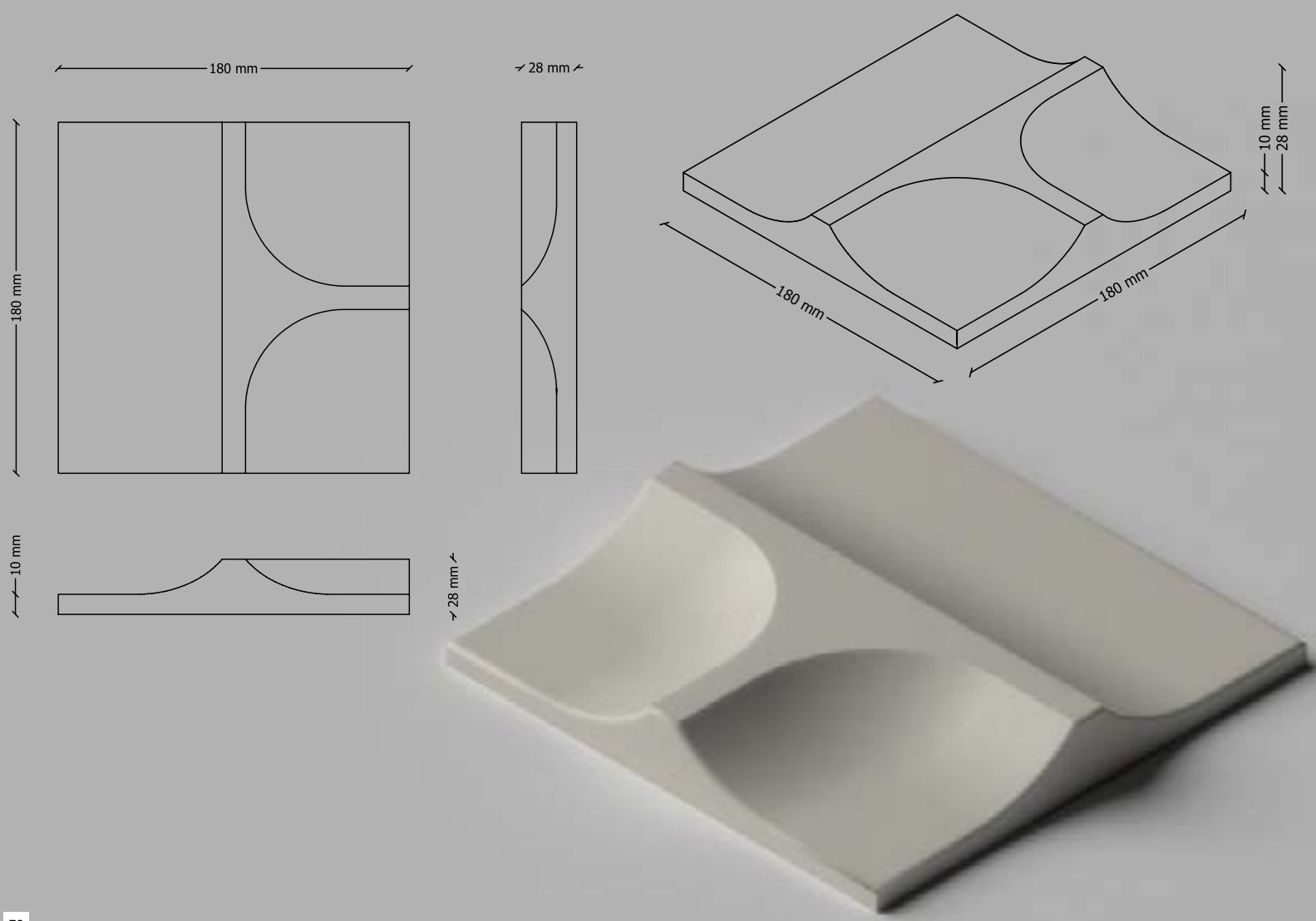
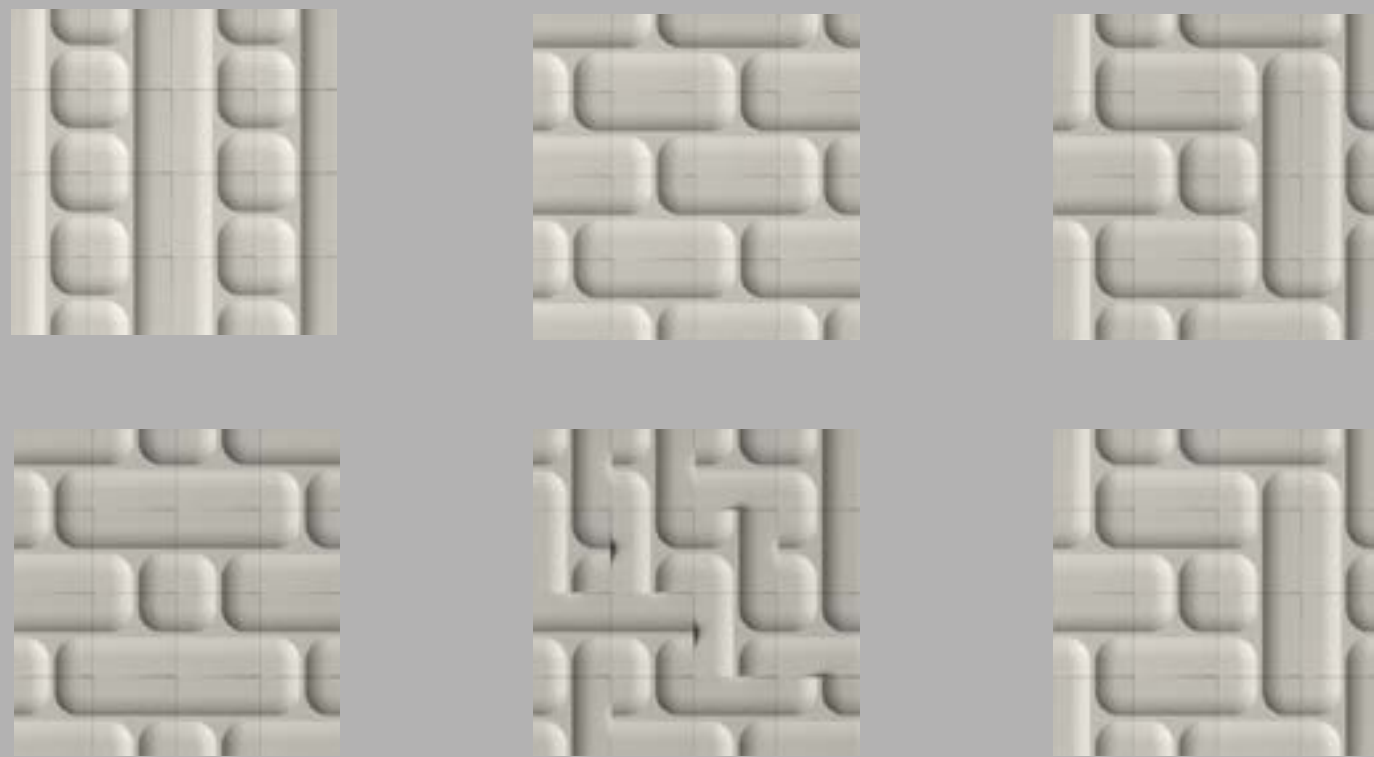
SIMPLICITY OF MODERN DESIGN



Design Idea of 'SOHO'

3D WALL panels, which do not put extra load on the building thanks to their light structure, they are durable and long-lasting panels in the industry. The decorative application panels, which are produced in varying section thicknesses in the range of 15-20 mm and reached to maximum strength, provide the opportunity to be used for many years with their strong and non-deforming structure.



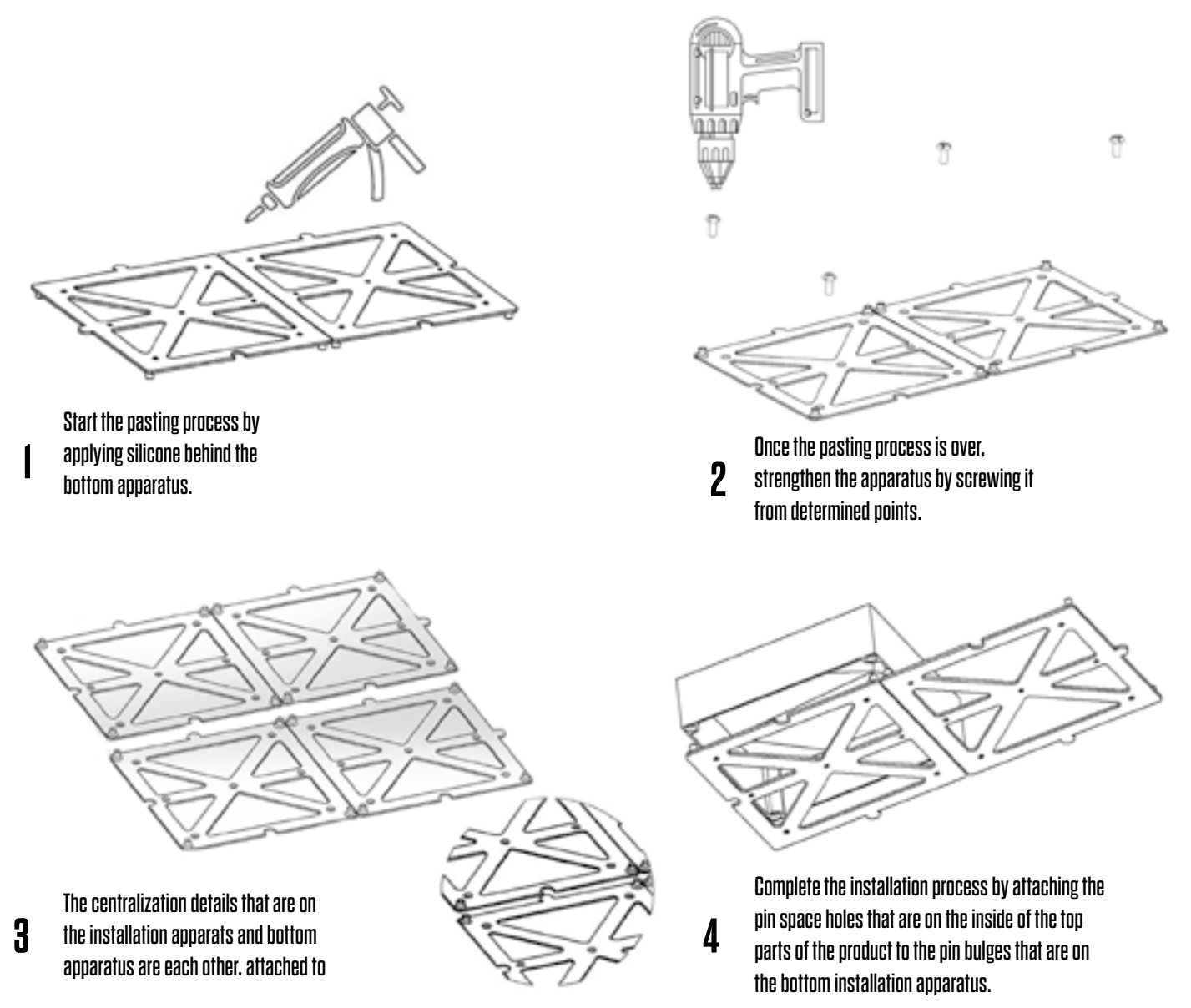
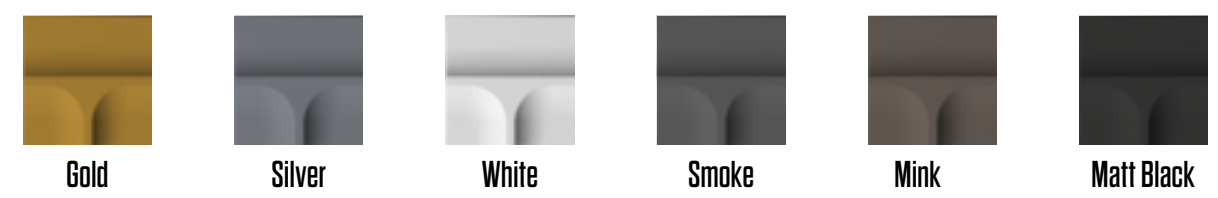


Product Introduction Guide / Soho

The second model of the 2nd generation 'SOHO' was launched at April 2022. A new model where you can create 6-7 different wall designs with a single tile design.

There will be 2 different part: 1 - bottom installation part 2 - upper visual part

The upper visual part will be installed after the bottom part. The sub-frame part has screwing and centering holes. It can be centered to each other easily. The installation method is same as LEGO system.



1 Start the pasting process by applying silicone behind the bottom apparatus.

2 Once the pasting process is over, strengthen the apparatus by screwing it from determined points.

3 The centralization details that are on the installation apparatus and bottom apparatus are each other, attached to

4 Complete the installation process by attaching the pin space holes that are on the inside of the top parts of the product to the pin bulges that are on the bottom installation apparatus.


3D WALL is the leading brand and creative name of the 3D decorative wall panel design products in Turkey market since 2009. We changed the decoration perception of architectural world with our creative and modern solutions in interior places.

3d wall[®]

ORIGAMI MÜHENDİSLİK SAN. TİC. LTD. STİ.

Beşköprü Mh. Servis Sk. No:3 54050
Serdivan / SAKARYA

T: +90 264 666 10 11

G: +90 552 666 10 11  +90 264 666 10 11

www.3dwall.com.tr info@3dwall.com.tr